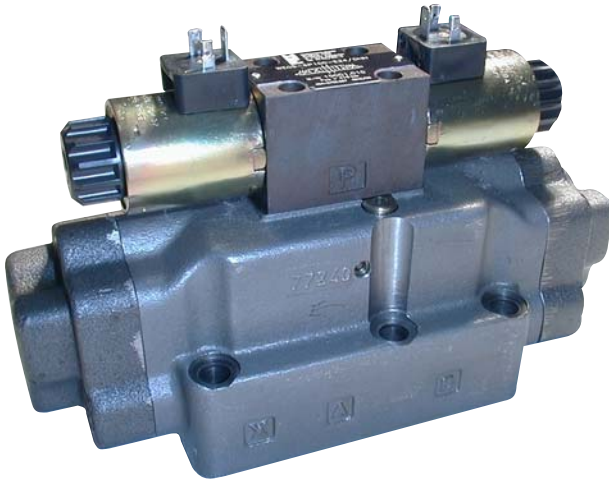


## 4/2, 4/3 Way Valve NG 25 ISO 4401

hydraulically operated, electrically controlled,  
piloted, pilot NG 6 ISO 4401



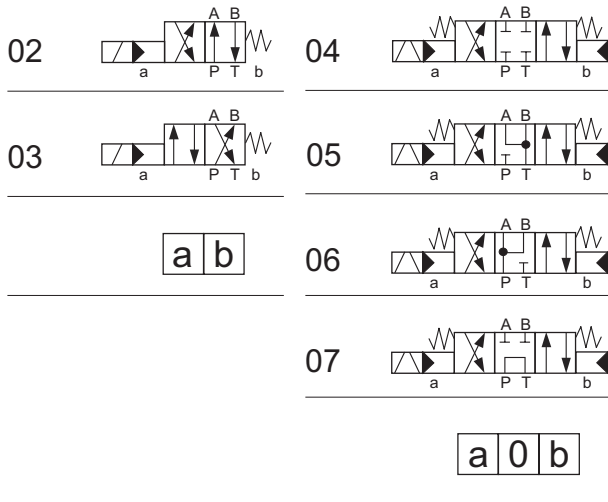
- Piloted piston valve
- High switching power
- Short switching time
- With internal or external pilot oil supply
- Easy service: Solenoid can be changed without leakage while the valve is under system pressure; no tools are required
- Only one connector, even with 4/3 way valves

### Specifications according to VDI 3267

#### General

Flow path	see diagramms
Type of valve	piston valve
Mounting method	6x M12x60 DIN912
Connection of port	mounting plate
Mounting positions	mountable in any position
Ambient temperature	°C -5 to +50
Mass valve	kg 10,5
Mass mounting plate	kg 2

#### Symbol:



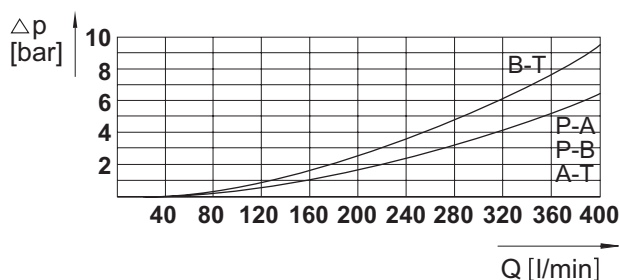
#### Hydraulic

Operating pressure range		
Ports P, A, B	bar	280
Port T	bar	150 / 280*
Pilot oil range	bar	15 to 120
Pilot flow range	ccm <sup>3</sup>	2x18,3 (4/3) / 9,6 (4/2)
Hydraulic oil temperature	°C	-10 to +70
Viscosity range	mm <sup>2</sup> /s	10 to 300
Maximal rate of flow	l/min	450
Operation		hydraulically operated electrically controlled 24V DC 230V, 50Hz AC
Switching time on	ms	50 50
Switching time off	ms	600 40
Power consumption P20	W	28
Making capacity P20	VA	35
Duty factor	%	100 100
Protection system DIN 40050		IP65 IP65

\*at external pilot oil drain

#### Characteristic curve

for hydraulic oil 35 mm<sup>2</sup>/s, 50°C



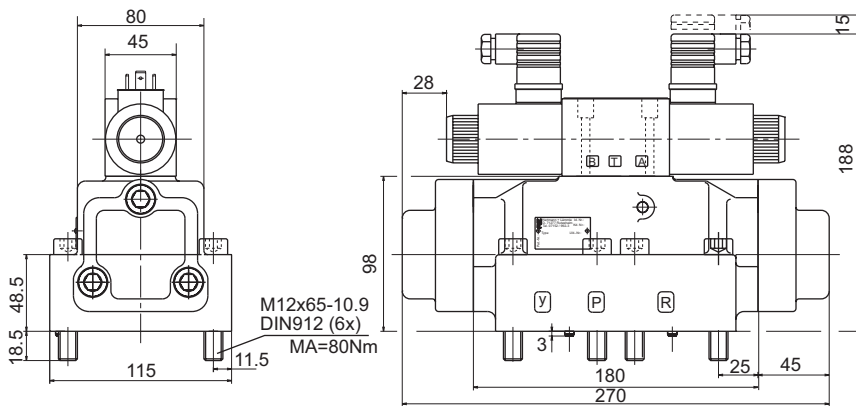
#### Options:

- Adjustable switching delay
- Stroke limitation (replace one-way restrictor)
- Electric monitoring of the spool position
- Alternative configurations
- Alternative voltages

The specifications given herein are subject to alteration

# Way Valve NG 25 ISO 4401

piloted NG6 ISO 4401



Fastening screws  
order number:  
6 x Id.-Nr. 800-239

Plug not included,  
order number:  
Id.-Nr. 806-002

electrical connector  
seal  
order number:  
Id.-Nr. 80162-004

### Type Code:

- Id.-Nr. (specified by the factory)
- Directional control valve
- Electrically controlled
- Configuration number
- Nominal size
- Mounting
- Design code
- Nominal size pilot
- Mounting pilot
- L= horizontal
- R= vertical
- Pilot oil supply extern
- Pilot oil drain extern
- Adjustable switching time

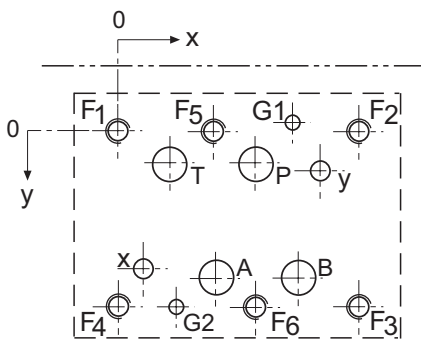
W e 0 4 - 2 5 H 1 0 0 - 6 P X Y T 2 B 1 Z 0 2 4 / 0 H N

- Manual emergency operation
- N= single acting
- D= double acting
- Electric interface
- H= connector DIN 43650
- M= connector M12
- Power supply / Voltage
- 024/0= 24V DC
- 220/5= 230V/50Hz
- Solenoid type
- R= single solenoid
- Z= double solenoid
- Stroke limitation

### Port connection pattern

NG 25 ISO 4401

The figure shows the side of the mounting plate to which the valve is fastened

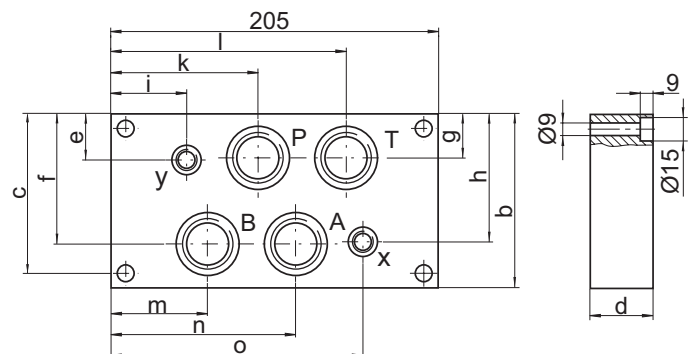


### Single-unit mounting plate

Order number:

PW25-G6-400 R= 1"

PW25-G7-400 R=1¼"



	a	b	c	d	e	f	g	h	i	k	l	m	n	o
G6	11,5	115	95	40	30,5	86	29	84,5	45	90	145	59	114	159
G7	29	150	130	60	48	108	42	102	37	85	150	55	120	168

	P	A	T	B	X	Y	G1	G2	F1	F2	F3	F4	F5	F6
Ømax	25	25	25	25	11,2	11,2	7,5	7,5	M12	M12	M12	M12	M12	M12
x	77	53,2	29,4	100,8	17,5	112,7	94,5	29,4	0	130,2	130,2	0	53,2	77
y	17,5	74,6	17,5	74,6	73	19	-4,8	92,1	0	0	92,1	92,1	0	92,1

F: min. 1,5 x Ø, deep  
G: min. 1,5 x Ø, deep

**Multiple-unit mounting plates**  
can be supplied on request

The specifications given herein are subject to alteration