

Accumulator Charging Valve NG 10 ISO 4401 piloted

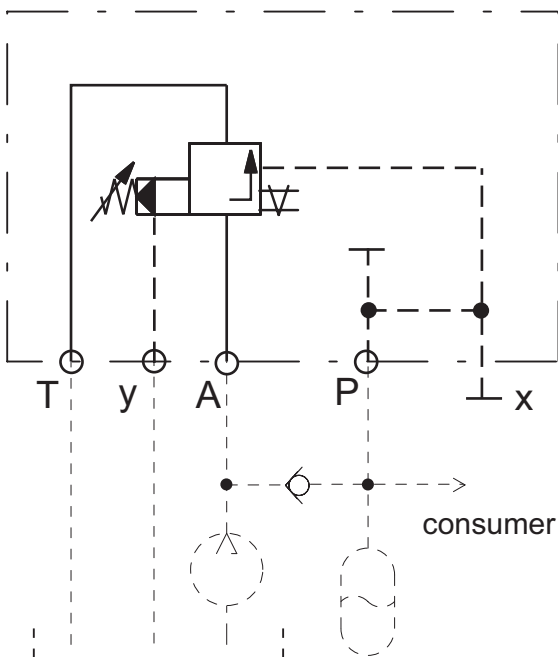
Design and Function:

Accumulator charging valves are piloted piston valves. The valve controls the hydraulic accumulator charging process, for systems with fixed displacement pumps.

After the accumulator has been charged and system pressure is reached, the valve then switches the pump flow into bypass mode (P to T). When the pressure falls because functions are demanding flow, the valve will sense the difference and will close the bypass to allow the accumulator to recharge. Pressure differences available include: 5%, 10%, 15% and 20%.



Symbol:



Advantages:

- Optimised power economy and reduced heat emission from the hydraulic system
- Energy saving due to low bypass pressure
- Fixed switching hysteresis, simple start up procedure
- Soft and exact switching over due to pressure pre-relieve
- Robust und reliable through simple design

Options:

- Electrical discharge (data sheet 344)
- Complete accumulator charging units (data sheet 711)
- Accumulator charging valve kit (Data sheet 343)

The specifications given herein are subject to alteration

Accumulator Charging Valve NG 10 ISO 4401

piloted

Specifications according VDI 3267

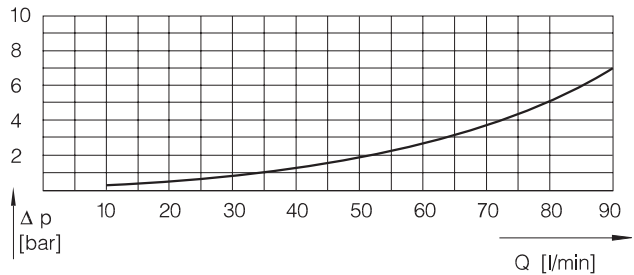
General

Symbol	see diagram
Type of valve	piloted piston valve
Mounting method	4x M6x35 DIN 912
Connection of ports	mounting plate
Mounting position	any position
Ambient temperature	°C -5 to +50
Mass valve	kg 3,2
Mass mounting plate	kg 1,2

Hydraulic

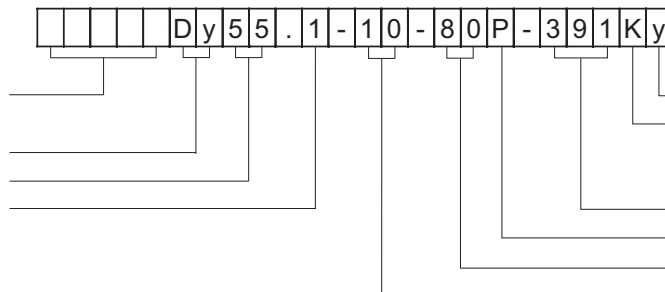
Pressure stages	bar	20 - 45
		45 - 80
		80 - 120
		120 - 175
		175 - 250
Switch hysteresis	%	5, 10, 15, 20
Hydraulic oil temperature	°C	-5 to +70
Viscosity range	mm ² /s	10 to 300
Max. rate of flow	l/min	90

Characteristic curve
for hydraulic oil 35 mm²/s, 50°C



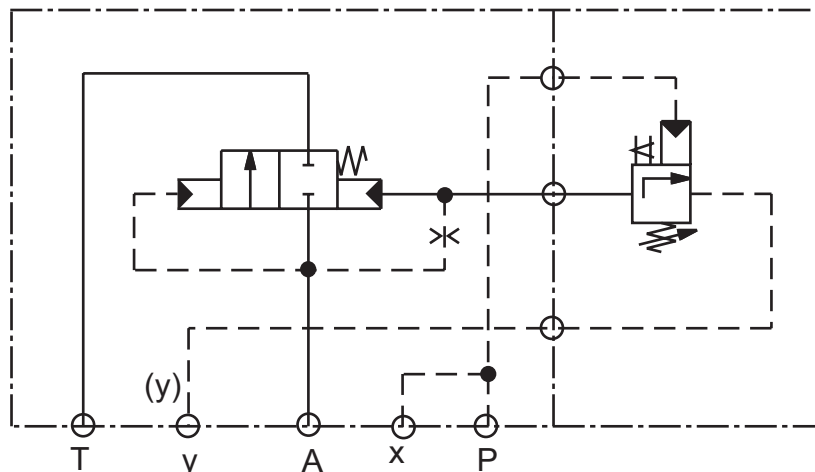
Type code:

Id.-Nr. (specified by the factory)
Pressure valve piloted
Symbol
Switching hysteresis
0=5%, 1=10%
2=15%, 3=20%
Nominal size



External leakage oil return
Adjustment method
S= setting screw
K= cover
Design code
Design
Pressure stages
45,80,120,175,250,315bar

Symbol, detailed:

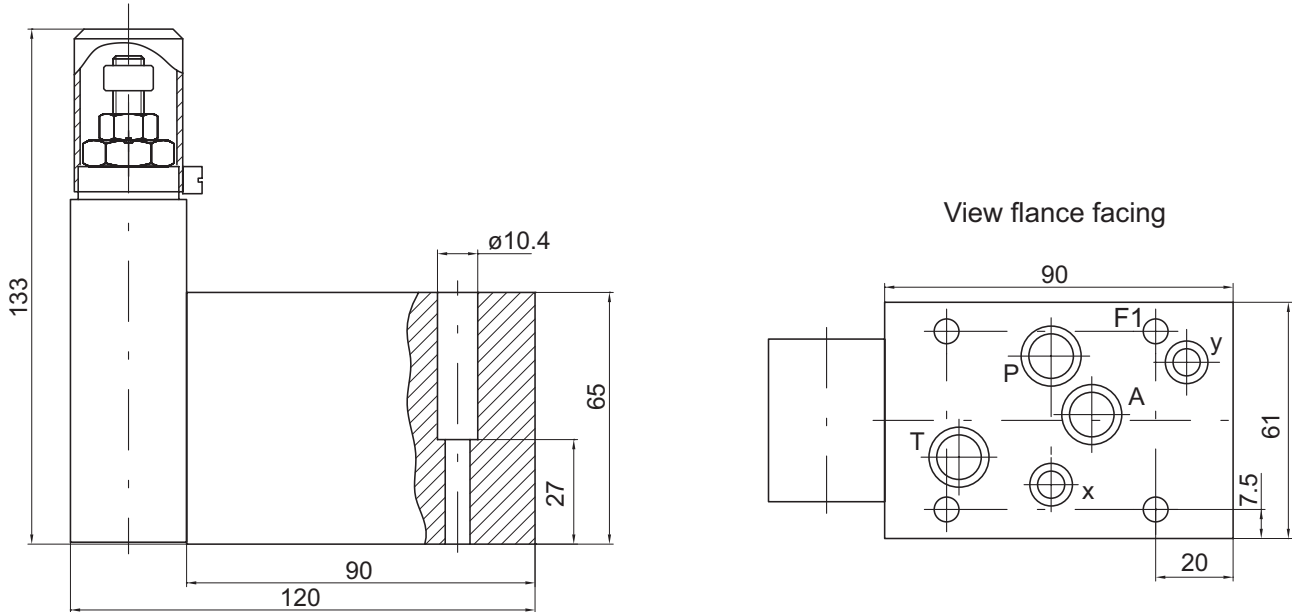


The specifications given herein are subject to alteration

Accumulator Charging Valve NG 10 ISO 4401

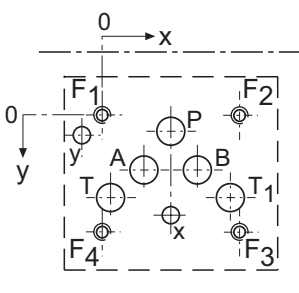
piloted

Dimensioned drawing:



Port connection pattern NG 10

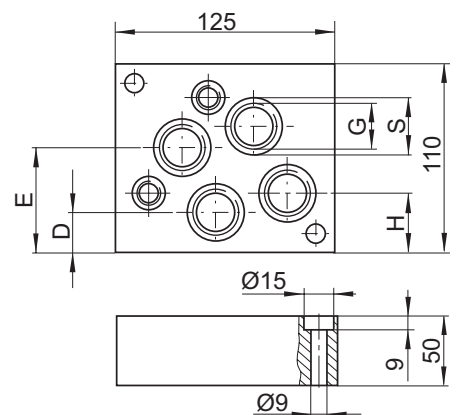
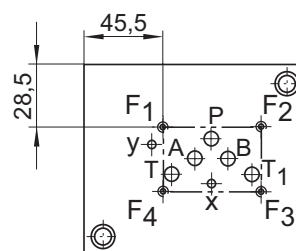
The figure shows the side of the mounting plate to which the valve is fastened



Single-unit mounting plate

Order number:
PW10-G3-400
PW10-G4-400
PW10-G5-400

G	S	D	E	H	M
R 3/8"	Ø23	30	55	41,5	67
R 1/2"	Ø27	26	59	37,5	71
R 3/4"	Ø33	24	61	35,5	73



	P	A	T	B	T1	F1	F2	F3	F4	X	Y
Ømax	Ø11,5	Ø11,5	Ø11,5	Ø11,5	Ø11,5	M6	M6	M6	M6	Ø7	Ø7
x	27	16,5	3,2	37,5	50,8	0	54	54	0	27	-8
y	6,4	21,5	32,5	21,5	32,5	0	0	46	46	39,6	8

F: min. 1,5 x Ø, deep
G: min. 1,5 x Ø, deep

Multiple-unit mounting plates can be supplied on request

The specifications given herein are subject to alteration