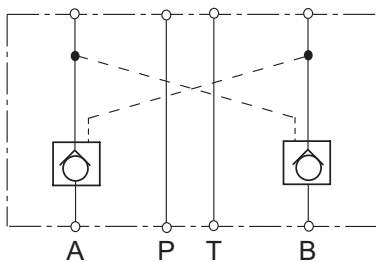


## Check Valve, piloted NG 4 ISO 4401 Sandwich-plate

- Hermetically closed seat valve
- Compact design
- Soft switch with forebalancing



### Symbol:



### Specification according to VDI 3267

#### General

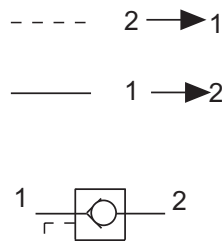
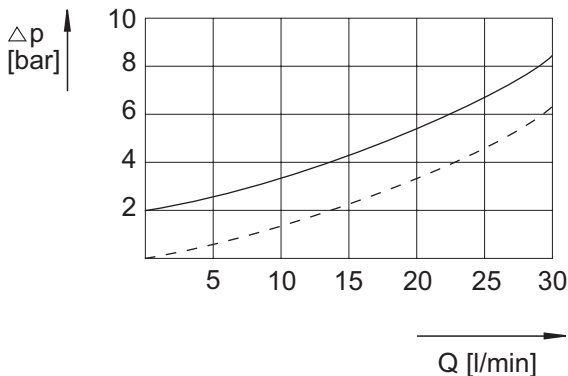
Configuration number	see symbol
Type of valve	seat valve, spring-weight
Mounting method	sandwich-plate
Mounting position	mountable in any positions
Ambient temperature °C	-5 bis +50
Mass valve kg	0,4

#### Hydraulic

Operating pressure max. bar	315
Hydraulic oil temperature °C	-5 bis +70
Viscosity range mm <sup>2</sup> /s	10 bis 300
max. flow l/min	see characteristic curve
Control ratio	3,3:1

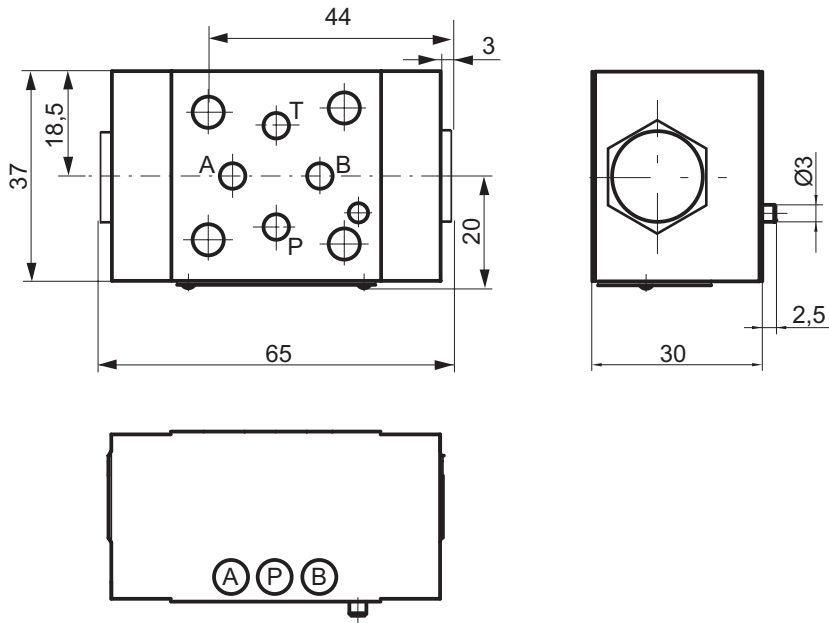
### Characteristic curve

for hydraulic oil 35 mm<sup>2</sup>/s, 50°C



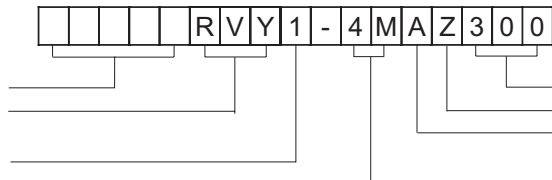
The specifications given herein are subject to alteration

# Check Valve, piloted NG 4 ISO 4401 Sandwich-plate



**Type code:**

Id.-Nr.  
Check valve, piloted  
Number of check  
functions

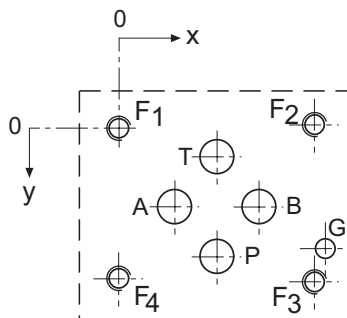


Design Code  
Design  
A = Check valve in A  
B = Check valve in B  
Nominal size

**Port connection pattern:**

NG 4 ISO 4401

The figure shows the side of the mounting  
plate to which the valve is fastened



	P	A	T	B	F1	F2	F3	F4	G
Ømax	Ø4,5	Ø4,5	Ø4,5	Ø4,5	M5	M5	M5	M5	Ø4
x	12	4,3	12	19,7	0	24	24	0	26,5
y	20,25	11,25	2,25	11,25	0	-0,75	23,25	22,5	17,75

F: min. 1,5 x Ø, deep  
G: min. 1,5 x Ø, deep

The specifications given herein are subject to alteration