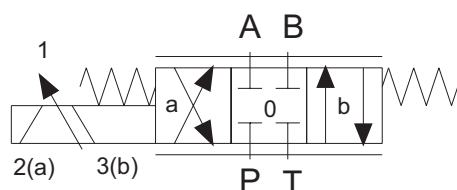


## MicroProp-Way Valve NG4 ISO 4401

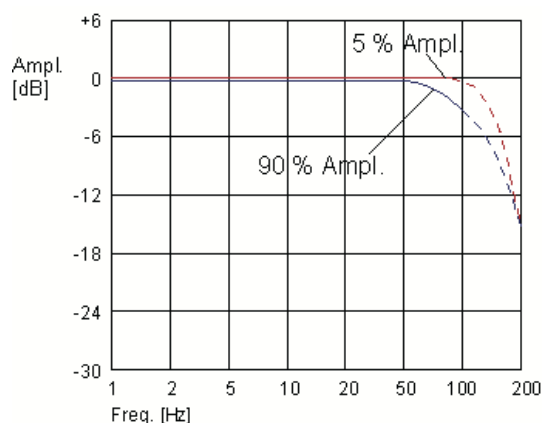


- Proportional valve for control of direction and flow
- Also usable as very fast switching valve
- High Dynamic, short switching time
- High operating threshold sensibility and low hysteresis
- Low control oil requirement
- Extremely compact design
- Easy service: Solenoid can be changed without leakage while the valve is under system pressure; no tools are required
- Only one connector
- Solenoids can be rotated 3x90°, allowing alternative connector positions
- Port connection pattern according to ISO 4401
- External amplifier: PWM3

### Symbol:



### Bode Diagram:



The valve controls continuously the direction and the range of the volume flow. Applications are ultra compact linear drives or controlled fast switching operations.

The MicroProp valve spool is also used as the solenoid armature. The integrated design makes it highly dynamic, compact and low in weight.

The drive is made by the external amplifier PWM3. The +/-10V signal permits analog drive. With digital inputs it is possible to choose predefined valve positions and ramps (Option). Project dependent it is possible to design PWM3 boards "self-intelligent" (Option).

### Specifications according to VDI 3267

#### General

Flow path	see symbol
Type of valve	piston valve
Mounting method	4x M5x15
Connection of ports	mounting plate
Mounting positions	mountable in any position
Ambient temperature	°C -20 bis 80
Mass valve	kg 0,5
Protection system	IP 65

#### Hydraulic

Operating pressure range	
Ports P, A, B	bar 160
Port T	bar 50
Hydraulic oil temperature	°C 20 to 80
Rate of flow	l/min 3 at $\Delta p = 70$ bar
Switching time on	ms 3 to pressure change
Switching time off	ms 3 to pressure change

#### Electric

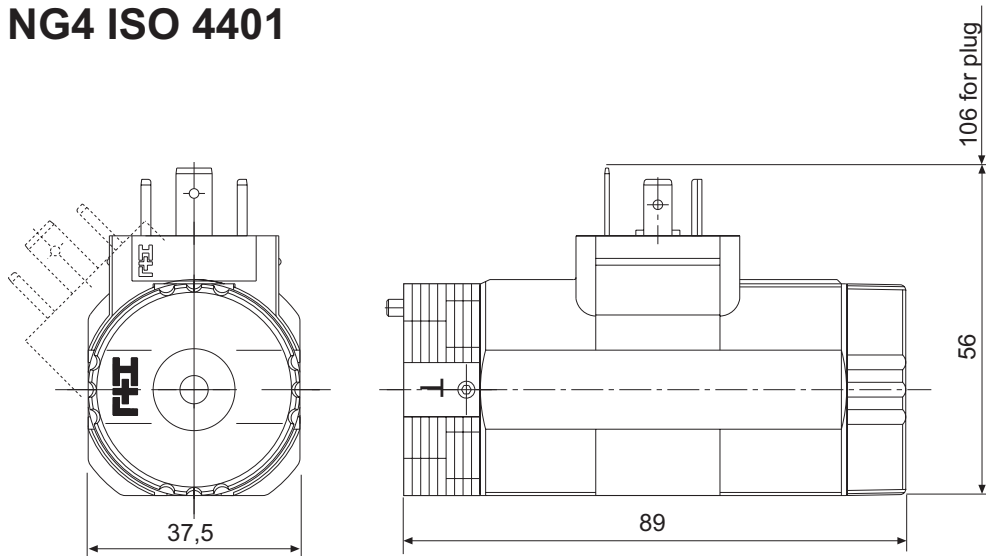
Double stroke magnet	$\Omega$	2 x 3,7
Nominal current	A	2,5
Base frequency	Hz	400
Amplifier		PWM3, on request external amplifier (analog, digital)
Drive		analog: +/- 10V Option: CAN

### Options:

- Alternative voltages
- Alternative configurations
- Alternative connectors

The specifications given herein are subject to alteration

# MicroProp-Way Valve NG4 ISO 4401



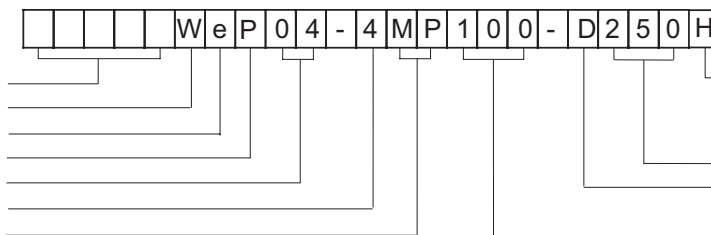
Fastening screws,  
ISO 4762 - M5x15  
are not included  
order number:  
4 x Id. Nr. 800-044

Plug not included,  
order number:  
Id.-Nr. 806-003

Electrical connector seal  
order number:  
Id.-Nr. 80162-004

### Type code:

Id.-Nr.  
Directional control valve  
Electrical controlled  
Proportional valve  
Symbol  
Nominal size  
Design code  
MicroProp

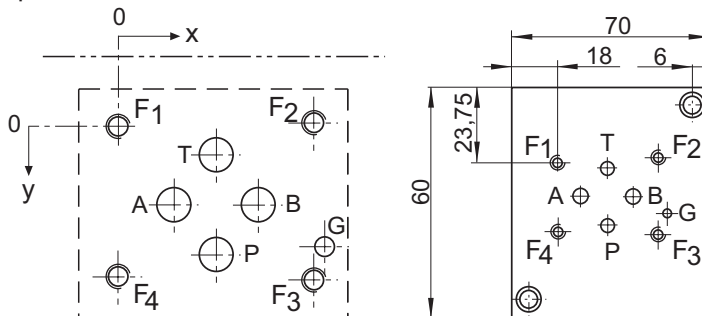


Electric interface  
H= connector DIN 43650  
M= connector M12  
Nominal current 2,5 A  
Solenoid design  
D = Double stroke  
E = Single stroke  
proportional solenoid  
Design code

### Port connection pattern

NG 4 ISO 4401

The figure shows the side of the mounting plate to which the valve is fastened



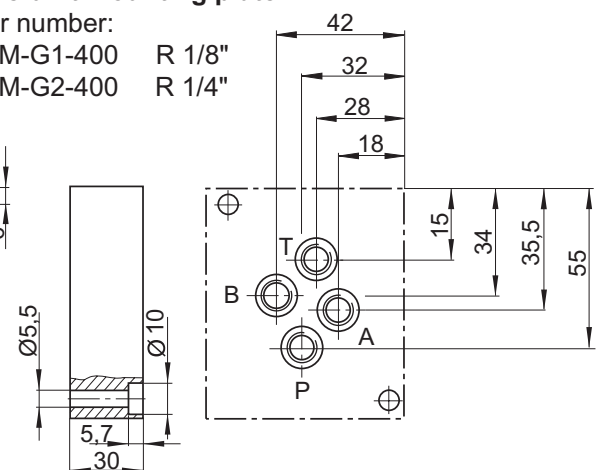
	P	A	T	B	F1	F2	F3	F4	G
Ømax	Ø4,5	Ø4,5	Ø4,5	Ø4,5	M5	M5	M5	M5	Ø4
x	12	4,3	12	19,7	0	24	24	0	26,5
y	20,25	11,25	2,25	11,25	0	-0,75	23,25	22,5	17,75

F: min. 1,5 x Ø, deep  
G: min. 1,5 x Ø, deep

### Single-unit mounting plate

Order number:

PW4M-G1-400 R 1/8"  
PW4M-G2-400 R 1/4"



Multiple-unit mounting plates can be supplied  
on request

The specifications given herein are subject to alteration