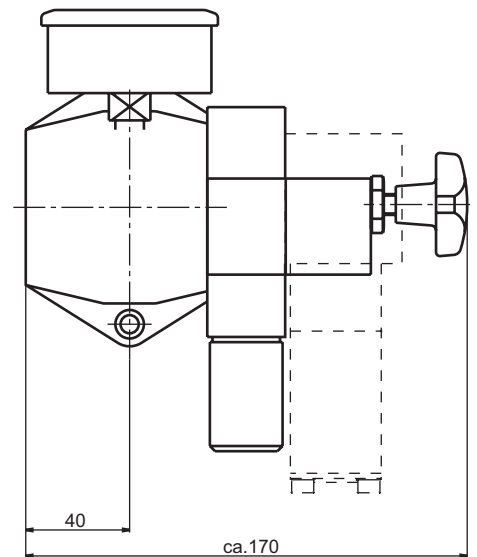
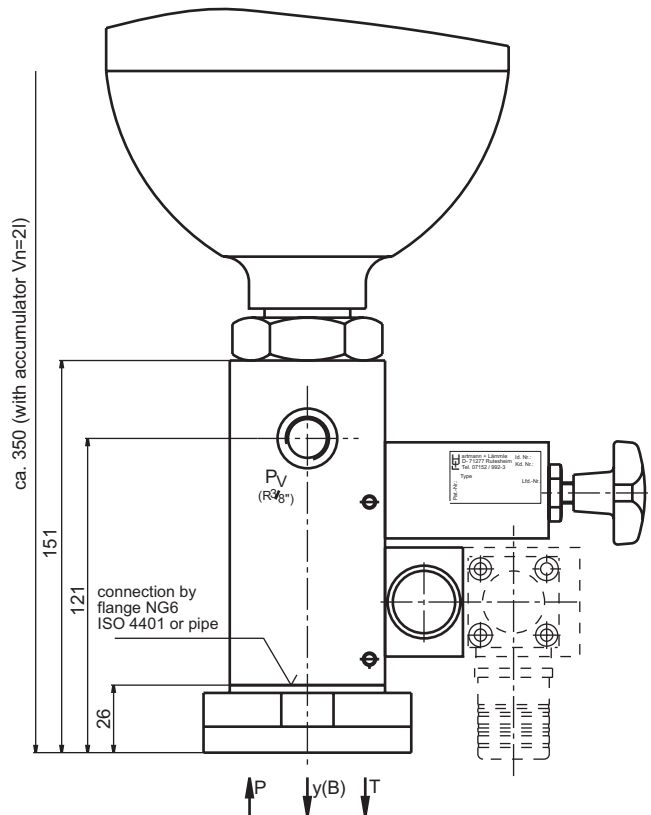
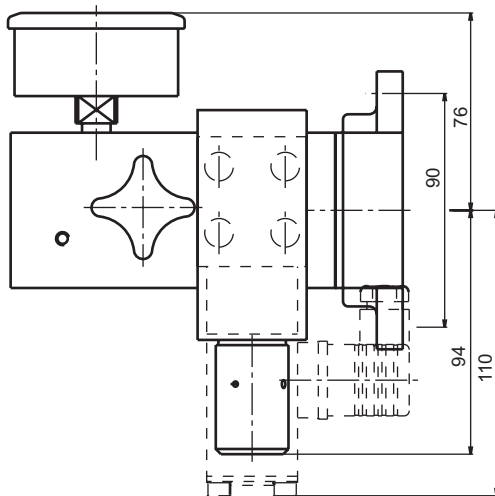




## Accumulator Charging Unit SLE 01 NG 6 ISO 4401

This accumulator charging unit has been developed specially for small pump capacities up to 20 litres/min. The compact design allows the unit to be mounted directly to small tanks with nominal capacities of 13 litres or more. The integrated pressure relief valve is fitted with a star knob which allows manual actuation.

For pressure-capacity values (product of pressure and capacity in litres) above 200, the unit is equipped with an approved Safety valve (design tested by TÜV) instead of the standard pressure-relief valve.



### Technical Specifications SLE 01

Pump capacity	max. 20 litres/minute
Accumulator port	M 33 x 1,5
Ports P, T, Ty	R 3/8" or NG 6 ISO 4401
Port P - actuator	R 3/8"
Optional functions	electrically controlled pressure relief
Fastening screws	2 x M 6 x 18

The specifications given herein are subject to alteration

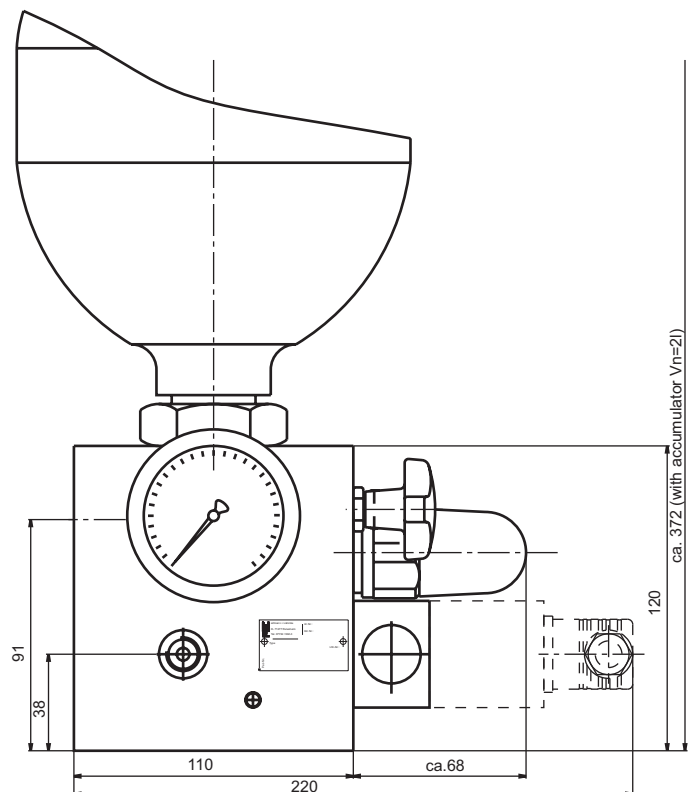
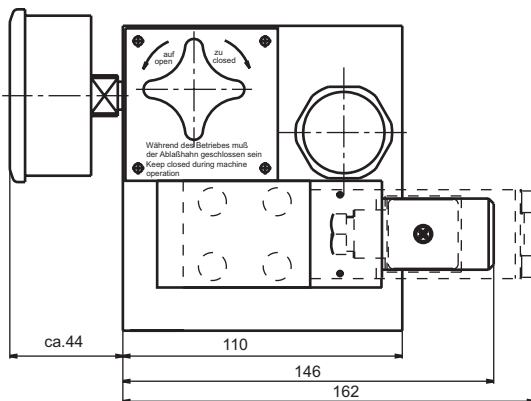
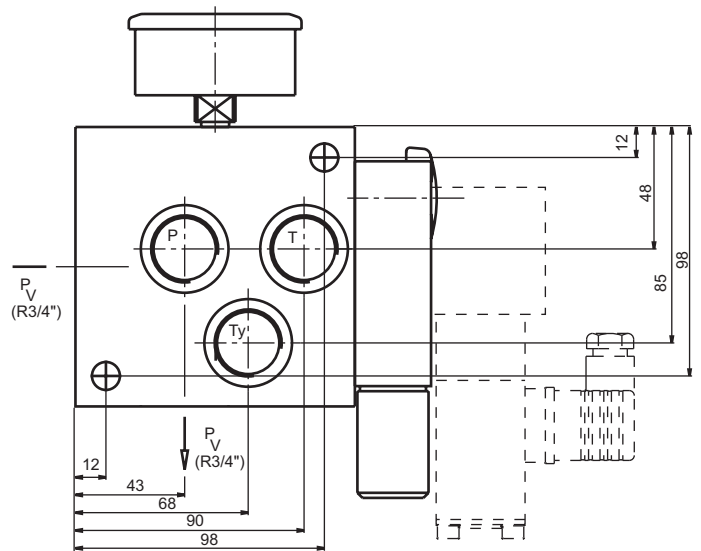
## Accumulator Charging Unit SLE 02

The accumulator charging unit SLE 02 is suitable for configurations with pump capacities of up to 60 litres/min.

Even the basic design of the model SLE 02 is equipped with an approved safety valve (design tested by TÜV).

The accumulator can be emptied manually through an outlet valve which is fitted with a star knob.

Pump ports are located at the bottom and side of the unit.



### Technical Specifications SLE 02

Pump capacity	max. 60 litres/minute
Accumulator port S	M 33 x 1,5
Ports P, T, Ty	R 3/4"
Port P - actuator	R 3/4"
Optional functions	emergency shutoff Electrically controlled unloading
Fastening screws	2x M10 x 120

The specifications given herein are subject to alteration

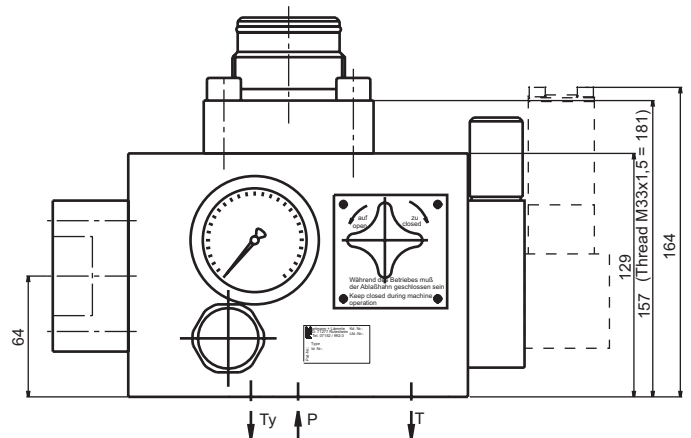
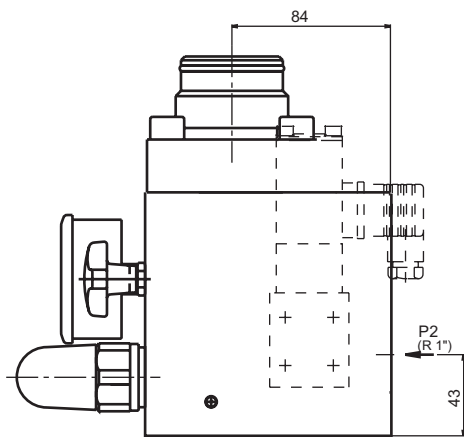
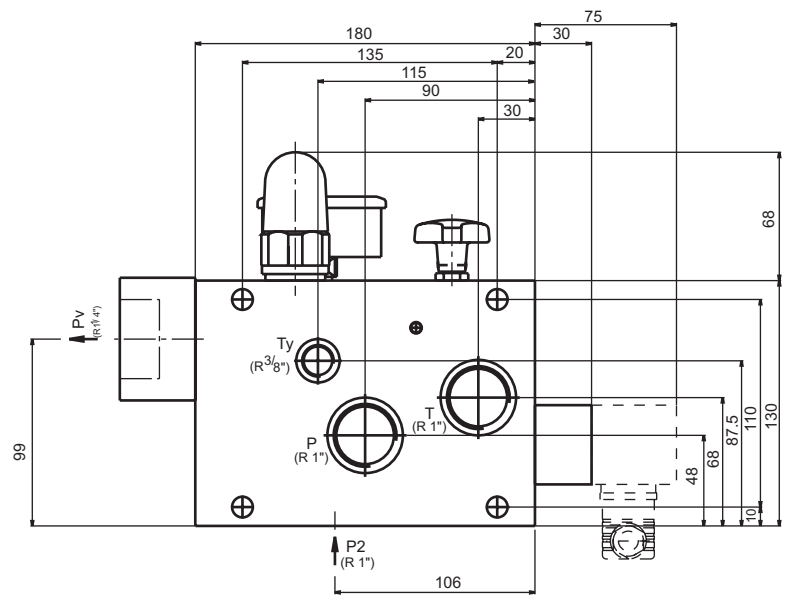
## Accumulator Charging Unit SLE 40

The accumulator charging unit SLE 40 has been designed for pump capacities of up to 150 litres/min.

The basic design of the block is equipped with an approved safety valve (design tested by TÜV) and with an accumulator outlet valve which can be actuated with a star knob.

Pump ports are located at the bottom and side of the unit (cf. dimension drawing). The available accumulator port designs can be found in the table "Port Types" on the following page.

The design version with emergency-shutoff function is also available with a leak proof 2/2 seatpoppet directional control valve.



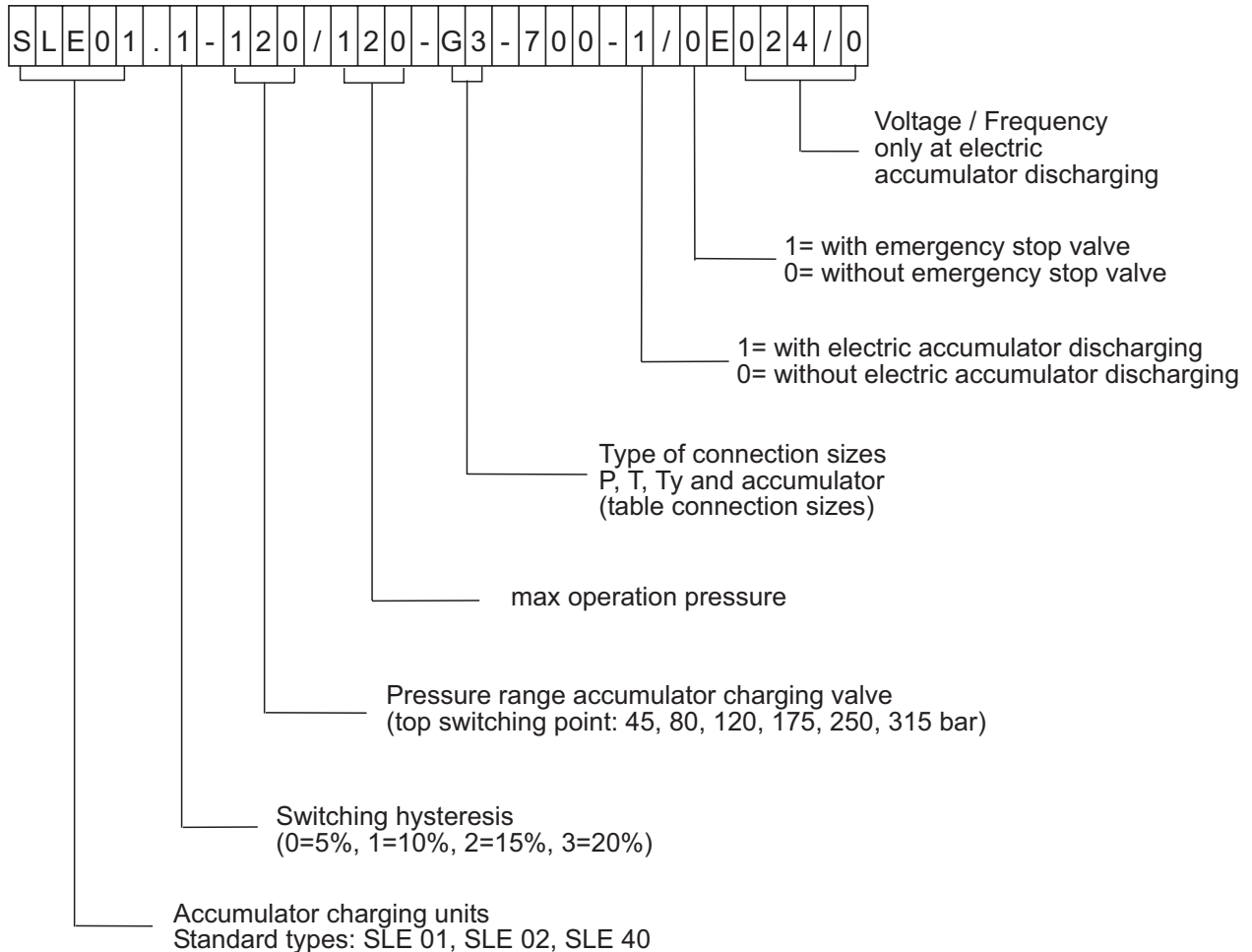
### Technical Specifications SLE 40

Pump capacity	max. 150 litres/minute
Accumulator port S	cf. Table
Ports P, T, Ty	Port dimensions: drawing cf. dimension
Port P - actuator	R 1 1/4"
Optional functions	emergency shutoff electrically controlled unloading
Fastenings screws	4x M10 x 140

The specifications given herein are subject to alteration

## Accumulator Charging Units

### Type Code:



### Connection Sizes

Type	Connection	Size Type	Possible Connections
SLE 01	P, T, Ty	G 2	G 1/4" thread
		G 3	G 3/8" thread
		6 P	NG6 ISO 4401 plate connection
SLE 02	P, T, Ty	G 5	G 3/4" thread
SLE 40	accumulator connection  (P, T, Ty see basic dimension drawing)	S 0	without accumulator connection flange
		S 1	G 1 1/4" external thread
		S 2	G 2" external thread
		S 3	M 40 x 1,5 external thread
		S 4	M 50 x 1,5 external thread
		S 5	M 33 x 1,5 internal thread
S 6	G 2" external thread + G 1" internal thread		

The specifications given herein are subject to alteration