

4/2 Way Valve NG 6 ISO 4401

electrical monitoring of the spool position,
directly controlled, electrically operated



- Directly controlled piston valve with electrical monitoring of the spool position
- High switching capacity
- Minimised flow resistance ensures power saving operation
- Solenoids can be rotated (3x90°), allowing alternative connector positions
- Forced opening of monitor switch increases safety

Specifications according VDI 3267

General

Symbol	see diagrams
Type of valve	piston valve
Mounting method	4x M5x30 DIN912
Connection of ports	mounting plate
Mounting position	any position
Ambient temperature	°C -5 to 50
Mass valve	kg 2,4
Mass mounting plate	kg 1,0

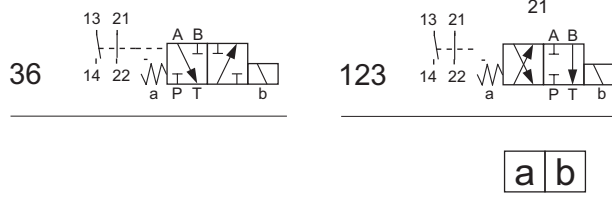
Hydraulic

Operating pressure range	bar 250
Ports P, A, B	bar 10 bzw. 150 with external leakage oil return
Port T	bar
Hydraulic oil temperature	°C -10 to +70
Viscosity range	mm ² /s 10 to 300
max. rate of flow	l/min 50

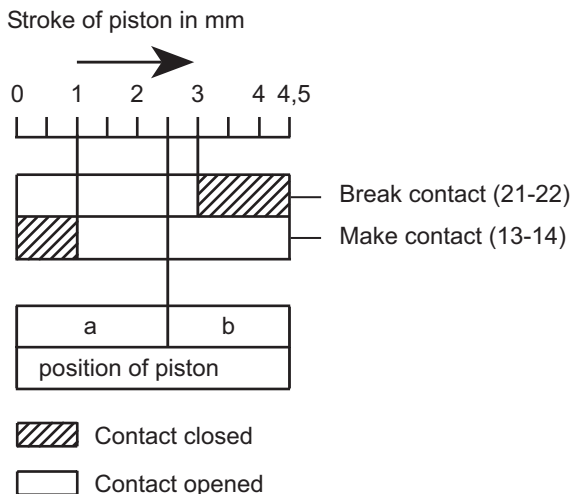
Operation

	electrically	
	24V DC	220V, 50Hz AC
Switching time on	ms 35	55
Switching time off	ms 20	35
Power consumption P20	W 30	
Operating power P20	VA 64	
Duty factor	% 100	100
Protection system DIN 40050	IP65	IP65

Symbol:



Switching ways:



Options:

- Alternative configurations
- Alternative voltage
- Mechanical operation
- Pilot operated design

The specifications given herein are subject to alteration

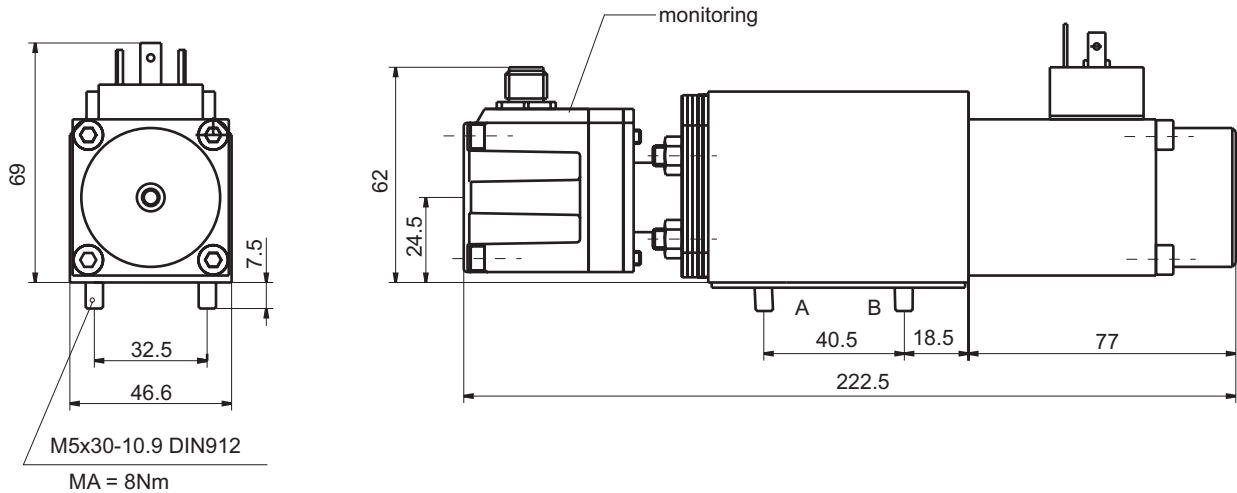
4/2 Way Valve NG 6 ISO 4401

electrical monitoring of the spool position,
directly controlled, electrically operated

Fastening screws
order number:
4 x Id.-Nr. 800-050

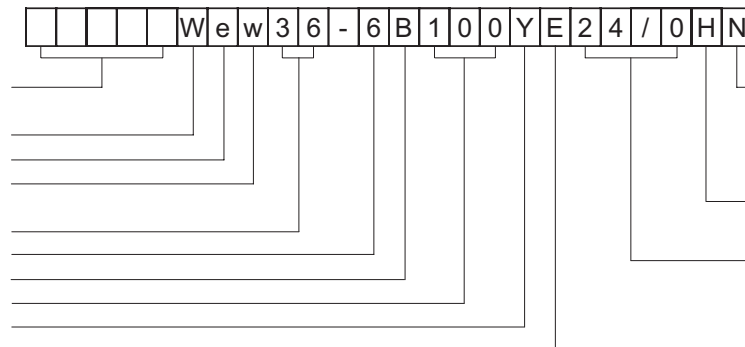
Plug not included,
order number:
Id.-Nr. 806-002

Electrical connector
seal
Id.-Nr. 80162-004



Type Code:

Id.-Nr. (specified by the factory)
Directional control valve
Electrically controlled
El. monitoring of the spool position
Configuration number
Nominal size
Mounting
Design code
External leakage oil return
Type of solenoid
E= single solenoid

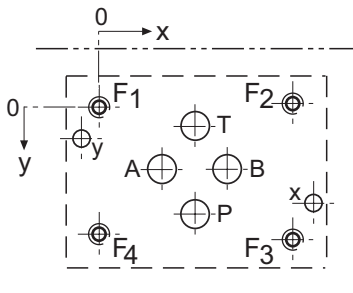


Manual emergency operation
N= single acting
D= double acting
Electric interface
H= connector DIN 43650
Power supply / Voltage
024/0= 24V DC
220/5= 230V/50 Hz

Port connection pattern

NG 6

The figure shows the side of the mounting plate to which the valve is fastened



	P	A	T	B	F1	F2	F3	F4	X	Y
Ø	Ø7	Ø7	Ø7	Ø7	M5	M5	M5	M5	Ø4	Ø4
x	21,5	12,7	21,5	30,2	0	40,5	40,5	0	46,5	-5
y	25,75	15,45	5,15	15,45	0	-0,75	31,75	31	25,25	5,95

Only for external control x and y

The specifications given herein are subject to alteration