

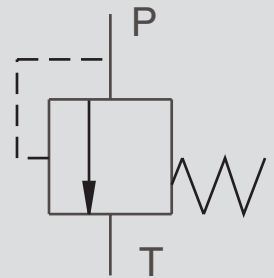
Voith Turbo

VOITH

Pressure relief valve

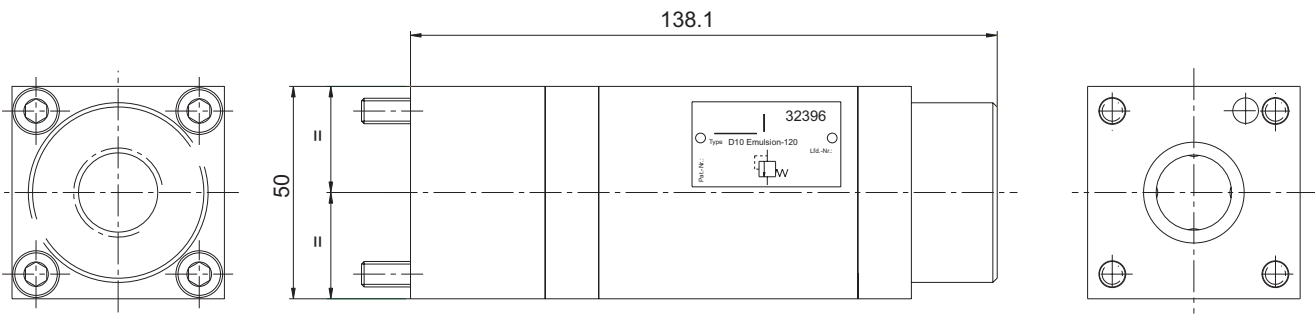


Symbol:



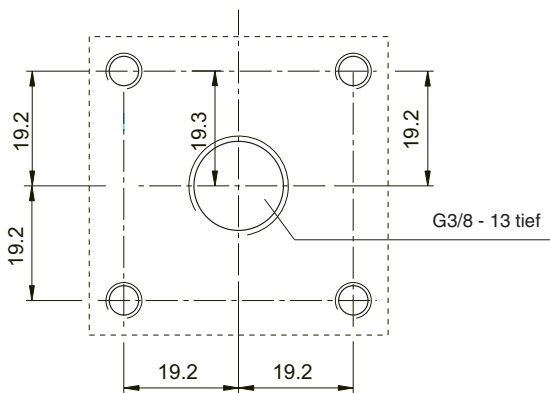
- **Applicable for cutting oil and cooling lubricant**
- **Seat valve**
- **Compact design**
- **Flange design**

Dimensioned drawing:



Port connection pattern:

Specifications according to VDI 3267



all dimensions with +/- 0.1mm tolerated

General

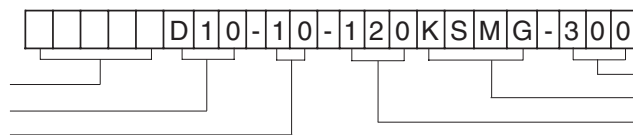
Type of valve	seat valve
Mounting method	4x M6x130 DIN912
Connection of ports	A-side mounting plate B-side G 3/4
Mounting positions	any positions
Ambient temperature °C	-5 to +50
Mass valve kg	1,3
Mass mounting plate kg	1,0 3-valves
Mass mounting plate kg	2,0 6-valves

Hydraulic

Operating pressure	
Ports A, B bar	max 120
Fluid temperature °C	0 to +70
Viscosity range mm ² /s	1 to 300
Max. rate of flow l/min	60
Pressure steps bar	5, 25, 40, 80, 120

Type code:

Id.-Nr.
Pressure relief valve
Nominal size



Design code
Product line
Pressure steps; fix adjusted
5, 25, 40, 80, 120 bar

Voith AG
Postfach 2000
89510 Heidenheim, Germany
info@voith.com
www.voith.com

Voith Turbo H + L Hydraulic GmbH + Co. KG
Schuckertstraße 15
71277 Rutesheim, Germany
sales-rut@voith.com
www.voithturbo.com



VOITH
Engineered reliability.