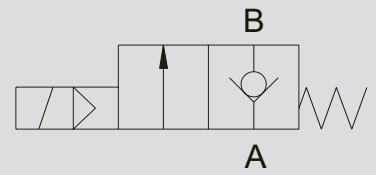


## 2/2 Directional Control Seat Valve electric controlled, pneumatically piloted



Symbol:



- **Applicable for cutting oil and cooling lubricant**
- **Seat valve**
- **Compact design**
- **Flange design**

**Options:**

**Specifications according to VDI 3267**

- **Alternative voltages**
- **Alternative configurations**
- **Modular design**

General

Type of valve	seat valve	
Mounting method	4x M6x130 DIN912	
Connection of ports	A-side mounting plate	
	B-side G 3/4	
Mounting positions	any positions	
Ambient temperature °C	-5 bis +50	
Mass valve kg	1,3	
Mass mounting plate kg	1,0	3-valves
Mass mounting plate kg	2,0	6-valves

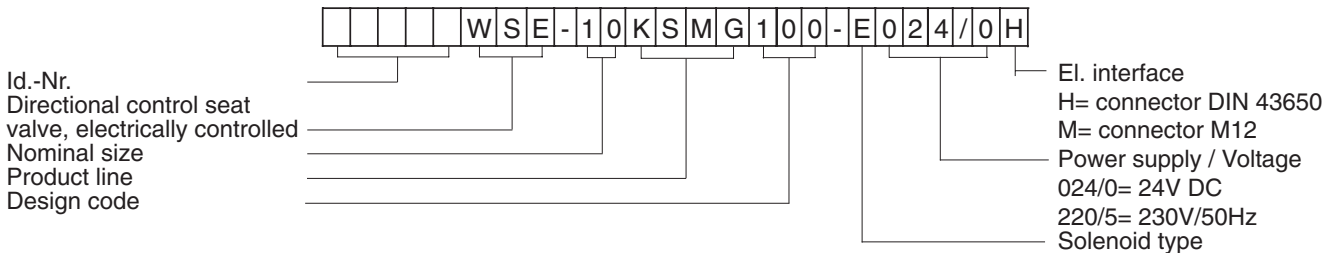
Hydraulic

Operating pressure		
Ports A, B bar	max 120	
Fluid temperature °C	0 bis +70	
Viscosity range mm <sup>2</sup> /s	1 bis 300	
max. flow l/min	60	
Operation	electrical	
	24 V DC	
Power consumption P20 W	4,8	
Protection system DIN 40050	IP65	

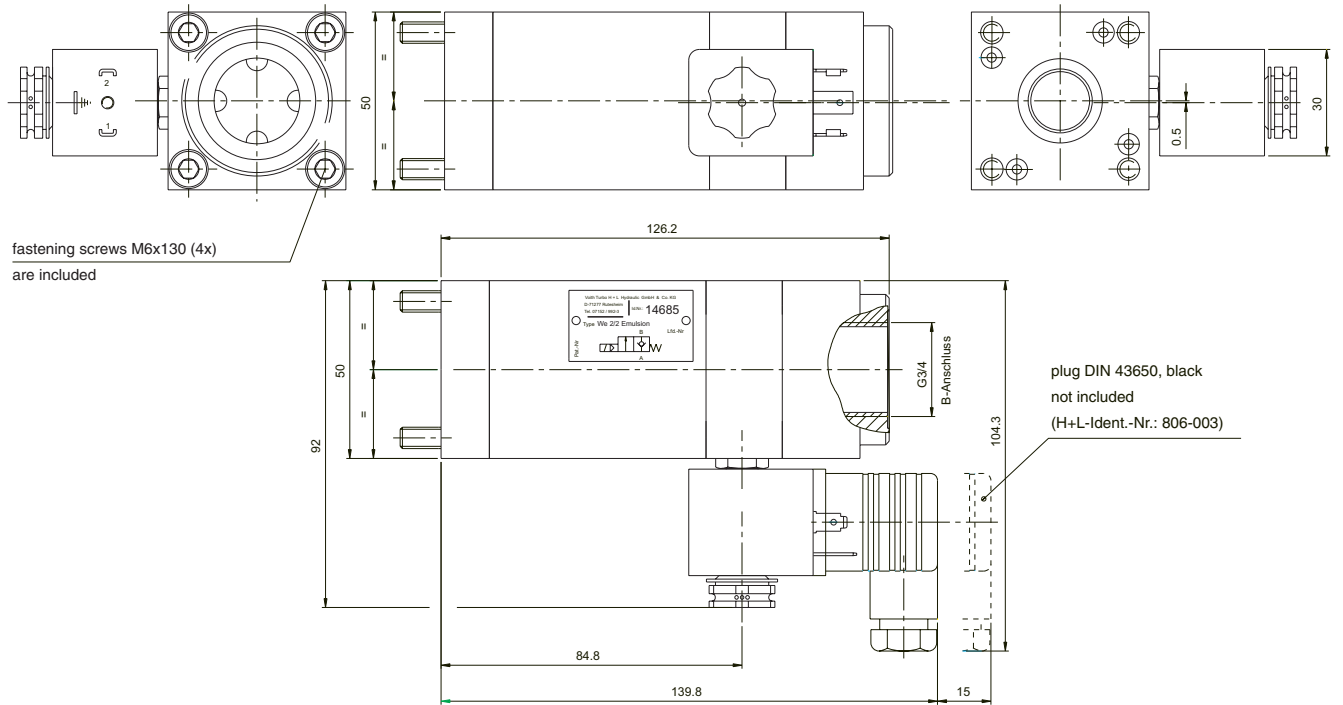
Pneumatic

Operating pressure		
min. air pressure bar	4,5	

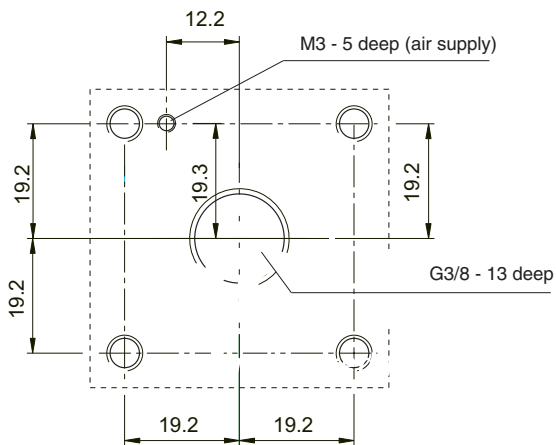
**Type code:**



## Dimensioned drawing:



## Port connection pattern:



all dimensions with +/- 0.1mm tolerated

Voith AG  
Postfach 2000  
89510 Heidenheim, Germany  
info@voith.com  
www.voith.com

Voith Turbo H + L Hydraulic GmbH + Co. KG  
Schuckertstraße 15  
71277 Rutesheim, Germany  
sales-rut@voith.com  
www.voithturbo.com



**VOITH**  
*Engineered reliability.*