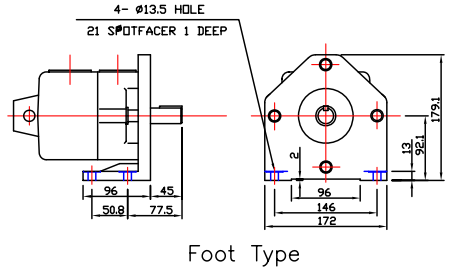
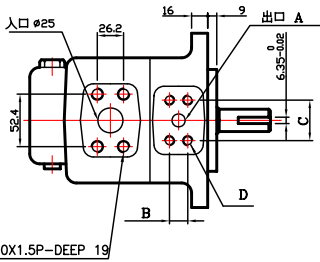
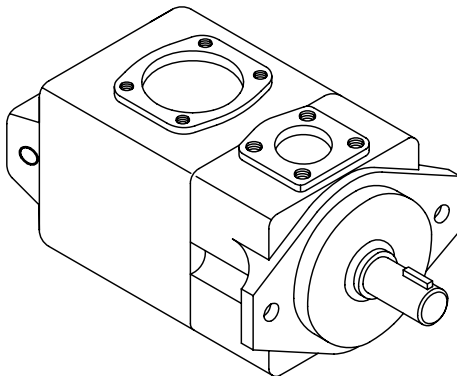
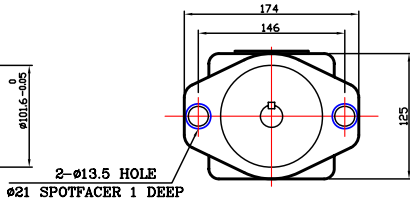
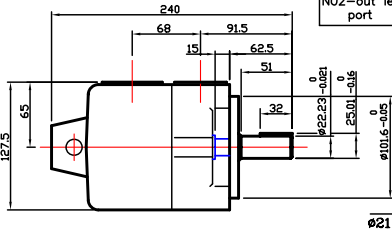


Dimensional Drawing



	A	B	C	D
N01-out let port	$\phi 13$	18.2	40.5	4-M8x1.25P-DEEP14
N02-out let port	$\phi 19$	22.2	47.6	4-M10x1.5P-DEEP17



HVQ20