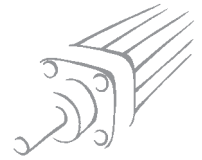


# RODLESS CYLINDER DOUBLE SERIES Ø 16, 25, 32



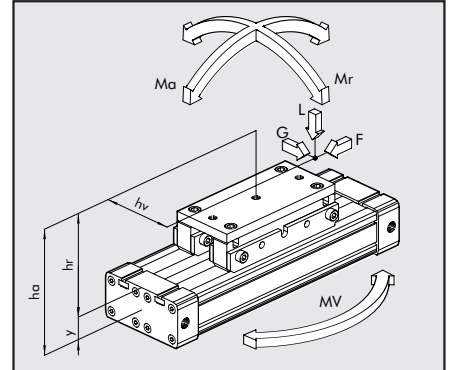
## DIMENSIONS – FORCES AND MOMENTS

Bore Ø	Actual force F at 6 bar [N]	Cushioning stroke [mm]	Max load L [N]	Ma max. [Nm]	Mr max. [Nm]	Mv max [Nm]
2x16	200	15	240	8	2.4	1
2x25	480	21	600	30	8	6
2x32	820	26	900	60	16.5	10

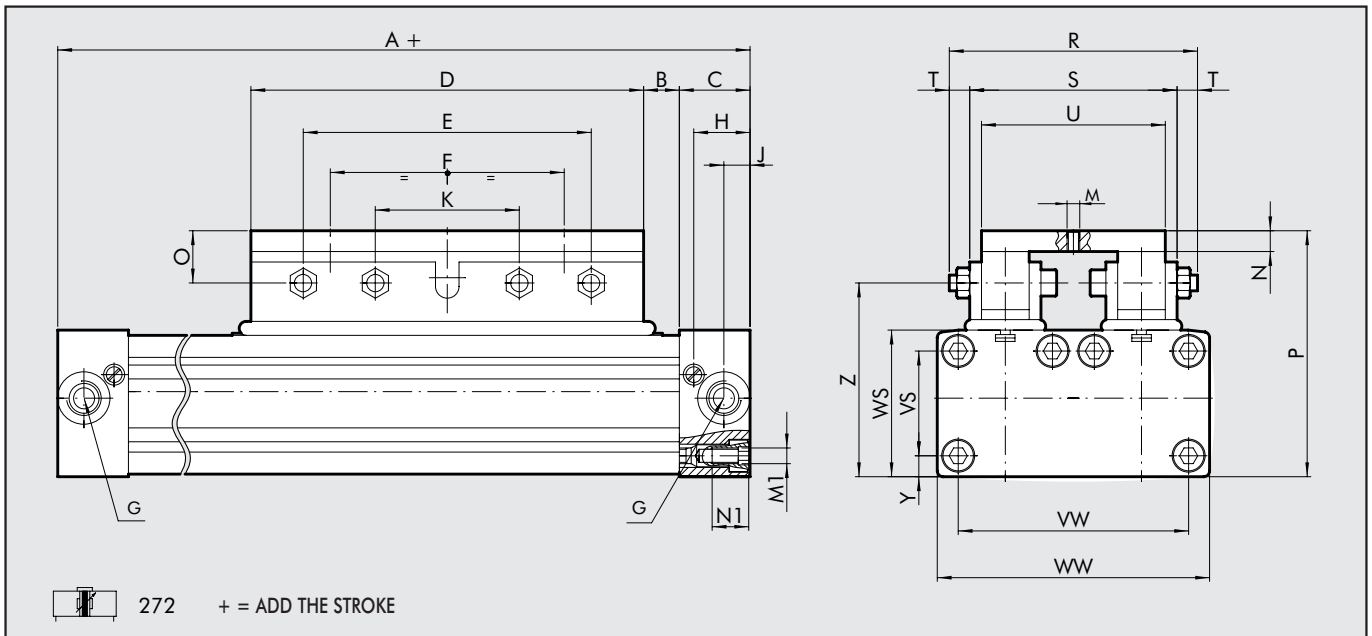
$$Ma = F \times ha \quad Mr = L \times hv + G \times hr \quad Mv = F \times hv$$

$$\frac{Mv}{Mv_{max}} \leq 1; \quad \frac{L}{L_{max}} \leq 1; \quad \frac{Ma}{Ma_{max}} + \frac{Mr}{Mr_{max}} + 0.22 \times \frac{Mv}{Mv_{max}} + 0.4 \frac{L}{L_{max}} \leq 1$$

(For the weights see GENERAL TECHNICAL DATA PAGE 1.1/07)



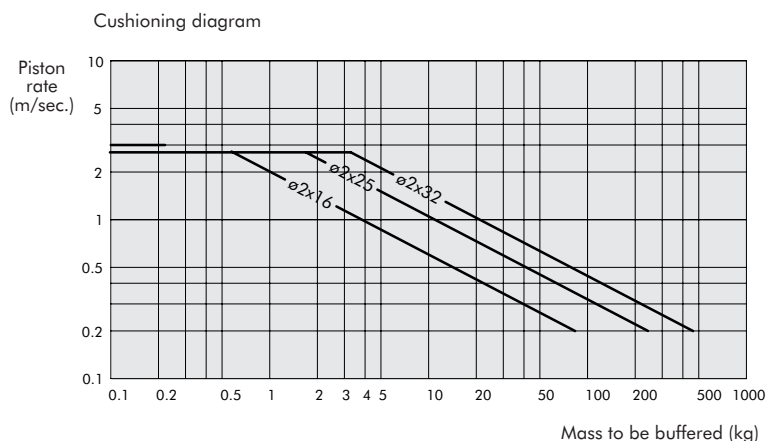
## DIMENSIONS OF RODLESS CYLINDER, DOUBLE SERIES



Ø	A	B	C	D	E	F	G	H	J	K	M	N	M1	N1	O	P	R	S	T	U	VW	VS	WW	WS	Y	Z
2x16	130	12	15	76	64	48	M5	12	6.4	32	M5	10	M3	7	16	53.5	52	42	5	34	42	18	51	27	4.5	37.5
2x25	200	17	23	120	100	80	1/8	18.5	8.5	50	M6	15	M5	12	20	74	74	59	7.5	50	63	27	72	41	7	53.5
2x32	250	23	27	150	110	90	1/4	22.5	10.5	55	M6	12	M6	14	20	95	92	78	7.5	70	86	40	100	56	8	74

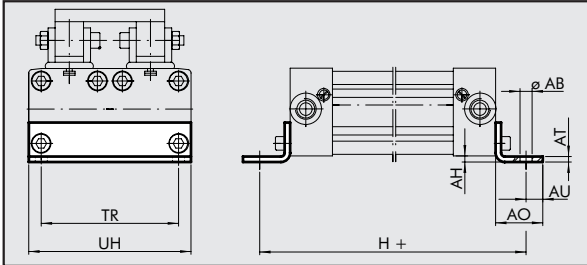
## DIAGRAM OF SPEED AND MAXIMUM CUSHIONABLE LOAD

For the cylinder to reach the end-of-stroke position without intense or repeated impact which would damage it, it is necessary to annul the kinetic energy of the moving mass and the work generated. The maximum cushionable load depends on the traversing speed and the absorption of the air buffer supplied standard with the various cylinders. The diagram shows the speeds and cushionable mass for the various diameters at a pressure of 6 bar.



## DOUBLE ACCESSORIES

### FOOT Ø 16; 25

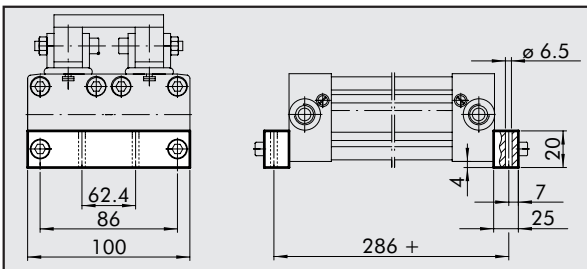


Code	Ø	ØAB	AH	AO	AT	AU	TR	UH	H	Weight [g]
------	---	-----	----	----	----	----	----	----	---	------------

W0950168001	2x16	3.6	1.5	14	1.6	4	42	51	150	18
W0950258001	2x25	5.5	2	22	2.5	6	63	72	232	54

Note: Individually packed complete with 2 screws

### FOOT Ø 32

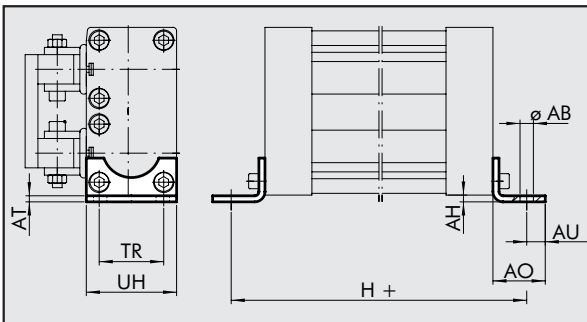


Code	Description	Weight [g]
------	-------------	------------

W0950328036	PIEDINO DOUBLE Ø 32	156
-------------	---------------------	-----

Note: Individually packed complete with 2 screws

### VERTICAL FOOT Ø 16; 25

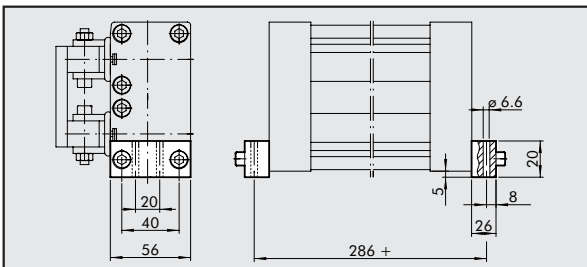


Code	Ø	ØAB	AH	AO	AT	AU	TR	UH	H	Weight [g]
------	---	-----	----	----	----	----	----	----	---	------------

W0950167001	2x16	3.6	1.5	14	1.6	4	18	26	150	10
W0950257001	2x25	5.5	4	22	2.5	6	27	40	232	32

Note: Individually packed complete with 2 screws

### VERTICAL FOOT Ø 32

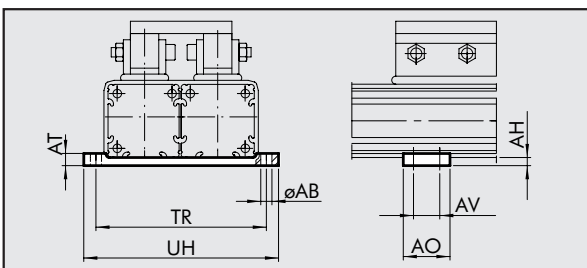


Code	Description	Weight [g]
------	-------------	------------

W0950328035	VERTICAL FOOT Ø 32	92
-------------	--------------------	----

Note: Individually packed complete with 2 screws

### INTERMEDIATE FOOT Ø 16÷32



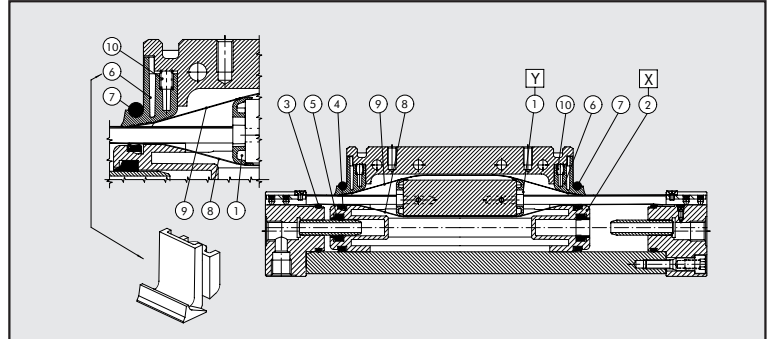
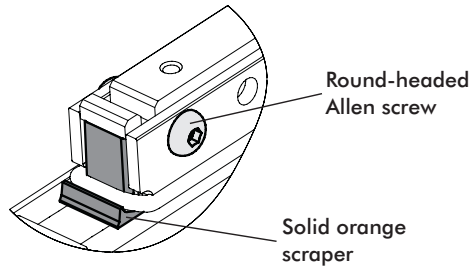
Code	Ø	ØAB	AH	AO	AT	AV	TR	UH	Weight [g]
------	---	-----	----	----	----	----	----	----	------------

W0950168037	2x16	3.5	3	12	6	6	60.5	64	16
W0950258037	2x25	5.5	4	20	6	10.5	84.5	96	34
W0950328037	2x32	6.5	5	55	8	40	111.5	123	96

Note: Supplied complete with 8 screws, 8 fixing plates (plates for Ø 32 only)

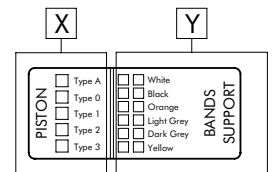
# SPARE PARTS

## "LAST RELEASE" CYLINDER



- ① Bands support Kit
- ② Piston kit
- ③ ④ ⑤ ⑥ ⑦ ⑩ NBR gaskets Kit (FKM/FPM for ⑦)
- ③ ④ ⑤ ⑥ ⑦ ⑩ FKM/FPM gaskets Kit
- ⑧ ⑨ Bands Kit (inner/outer)

Spare parts label on one cylinder side



### BANDS SUPPORT KIT POS 1 (Y)

Ø	Code White	Code Black	Code Orange	Code Light grey	Code Dark grey	Code Yellow
16	0090165080	0090165081	0090165082	0090165083	0090165084	0090165085
25	0090255080	0090255081	0090255082	0090255083	0090255084	0090255085
32	0090325080	0090325081	0090325082	0090325083	0090325084	0090325085
40	0090405080	0090405081	0090405082	0090405083	0090405084	0090405085
63	*0090635080	*0090635081	*0090635082	*0090635083	*0090635084	*0090635085

### BANDS KIT (inner and outer) pos 8-9

Ø	Code	
16	0090166...	
25	0090256...	
32	0090326...	
40	0090406...	
63	0090636...	...= STROKE

\* For ø63, the kit includes a strip support and a shim in the colour ordered. Therefore, two kits must be ordered for each cylinder.

### NBR GASKET KIT posn. 3,4,5,6,7,10

Ø	Code
16	0090165022
25	0090255022
32	0090325022
40	0090405022
63	0090635022

### FKM/FPM GASKET KIT posn. 3-4-5-6-7-10

Ø	Code
16	0090165023
25	0090255023
32	0090325023
40	0090405023
63	0090635023

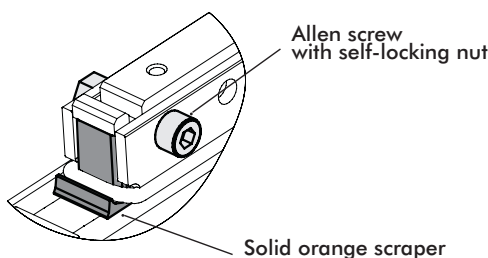
### PISTON KIT POS 2 (X)

Ø	Code		Code		Code	
	Type 0 (0 rings)	Type 1 (1 rings)	Type 2 (2 rings)	Type 3 (3 rings)	Type A (4 rings)	
16	0090165015	0090165016	0090165017	0090165018	-	
25	0090255015	0090255016	0090255017	0090255018	-	
32	0090325015	0090325016	0090325017	0090325018	0090325019	
40	0090405015	0090405016	0090405017	0090405018	-	
63	0090635015	0090635016	0090635017	0090635018	-	

## NOTES

IF THE ENDS OF THE CARRIAGE APPEAR AS BELOW INDICATED, PLEASE CONTACT OUR COMMERCIAL DEPARTMENT FOR THE SPARE PARTS

### "INTERMEDIATE RELEASE"



### "OLD RELEASE"

