

ROTARY ACTUATOR SERIES R2

1

Actuator with double rack and play take-up. Four sizes – 12, 16, 20 and 25. Two angles of rotation – 90° and 180°. Stroke adjustment system for all sizes. Pneumatic cushioning for all sizes except the smallest.

There are slots in the body to house a magnetic proximity sensor.

Air supply, stroke adjustment and cushioning adjustment are all on the same side.

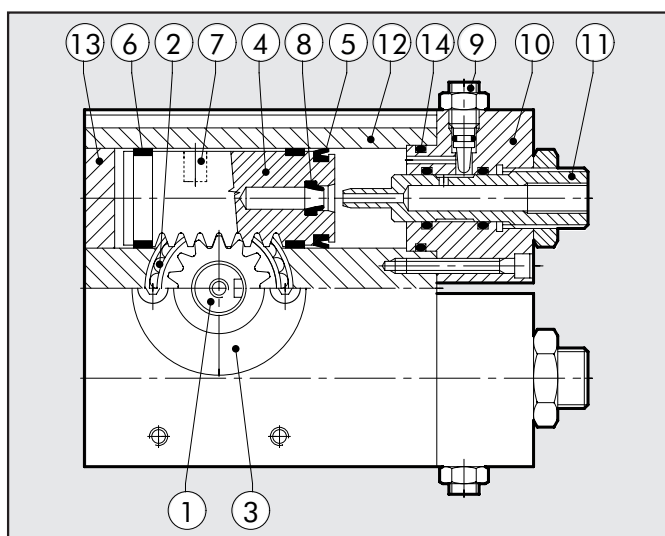


We always suggest to use flow microregulators. During the setup of the actuator, start with CLOSE flow microregulators, and open gradually till the achievement of the required speed.

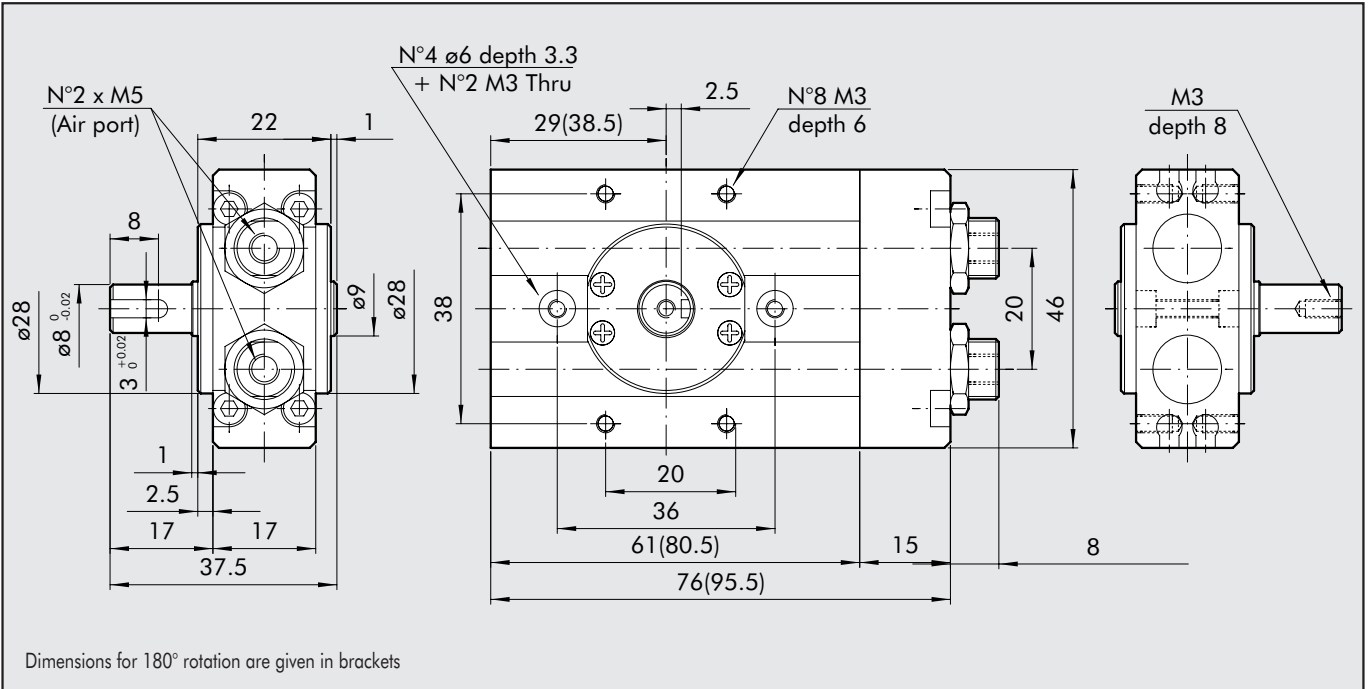
TECHNICAL FEATURES	R2 - 12	R2 - 16	R2 - 20	R2 - 25
Pressure range	bar 1.5 to 7			
Temperature range	°C 5 to 60			
Angle adjustment	degrees 35° (about +10° -25°)			
Fluid	10µm dried or lubricated filtered air. Lubrication, if used, must be continuous			
Versions	90°/180° rotation			
Ports	Both at the front			
Sizes	12	16	20	25
Theoretical torque (P=pressure in bar)	Nm 0.065 x P	0.14 x P	0.25 x P	0.48 x P
Max. axial load	N 8	14	40	80
Max. radial load	N 8	14	40	80
Weight with 90° rotation	Kg 0.18	0.26	0.63	0.8
Weight with 180° rotation	Kg 0.21	0.31	0.72	1
Rotation time without load				
• 90° angle	s 0.2	0.2	0.2	0.2
• 180° angle	s 0.3	0.3	0.3	0.3

COMPONENTS

- ① ROTARY SHAFT / PINION: hardened and tempered steel
- ② BALL BEARING
- ③ FLANGE: anodised aluminium
- ④ PISTON / RACK: hardened and tempered steel
- ⑤ PISTON GASKET: NBR
- ⑥ GUIDE SHOE: PTFE
- ⑦ MAGNET: neodymium
- ⑧ CUSHIONING GASKET: NBR
- ⑨ CUSHIONING PIN: zinc-plated steel
- ⑩ HEAD: anodised aluminium
- ⑪ PNEUMATIC CONNECTION / STROKE ADJUSTMENT: steel
- ⑫ JACKET: anodised aluminium
- ⑬ BASE: anodised aluminium
- ⑭ SEAL: NBR



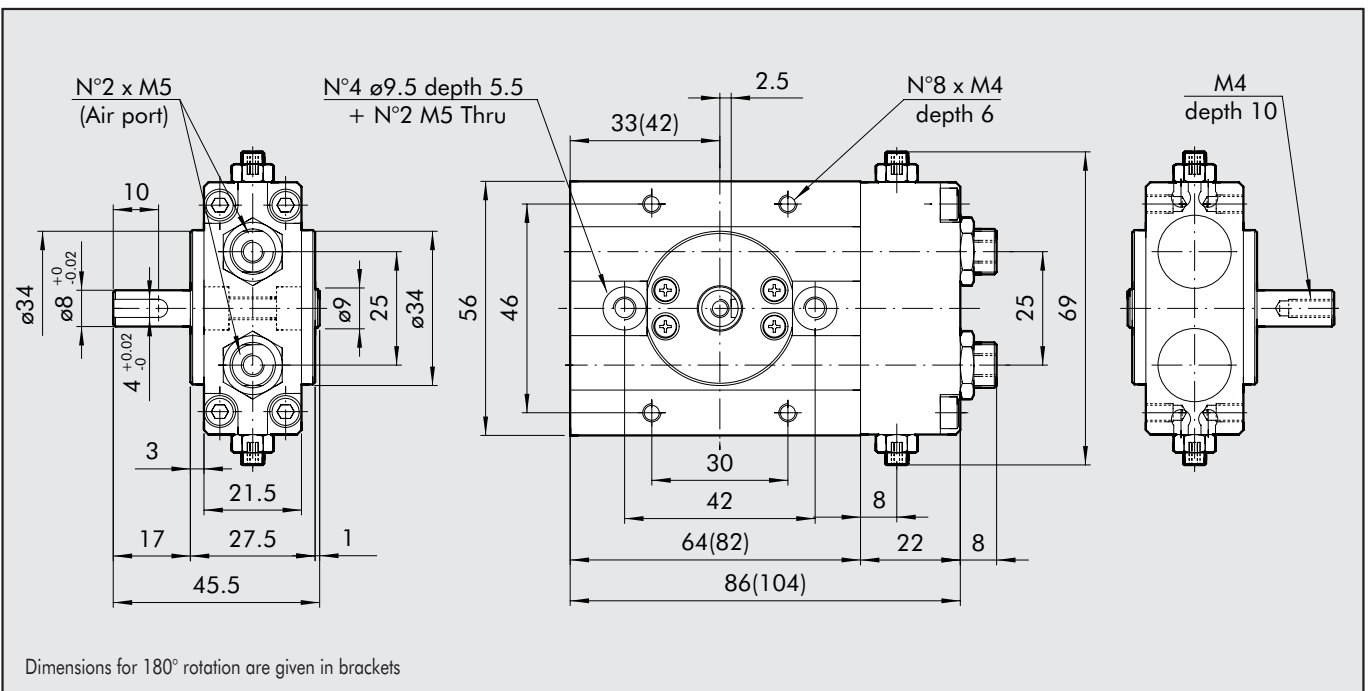
ROTARY ACTUATOR R2 12 90°/180°



ORDERING CODES

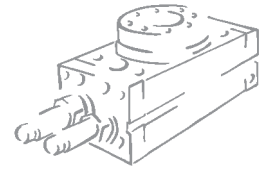
Code	Description
W1620122090	ROTARY ACTUATOR R2-12-90°
W1620122180	ROTARY ACTUATOR R2-12-180°

ROTARY ACTUATOR R2 16 90°/180°



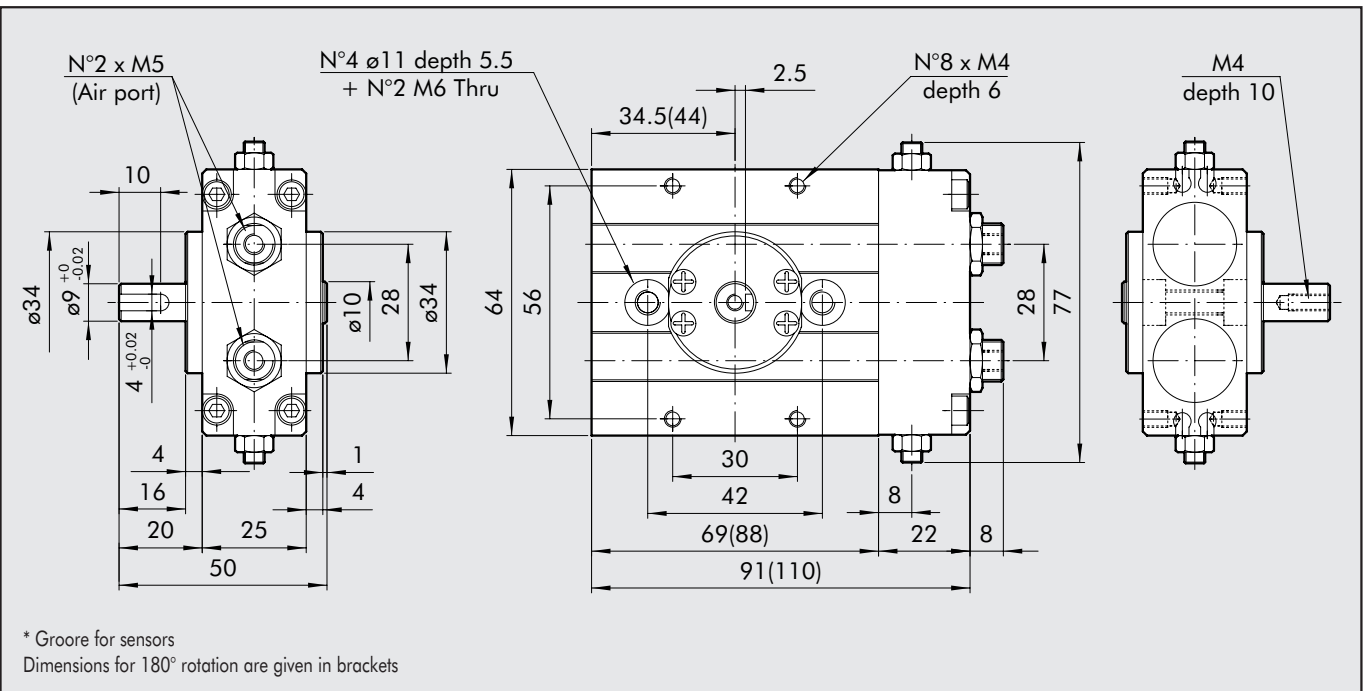
ORDERING CODES

Code	Description
W1620162090	ROTARY ACTUATOR R2-16-90°
W1620162180	ROTARY ACTUATOR R2-16-180°



ROTARY ACTUATOR R2 20 90°/180°

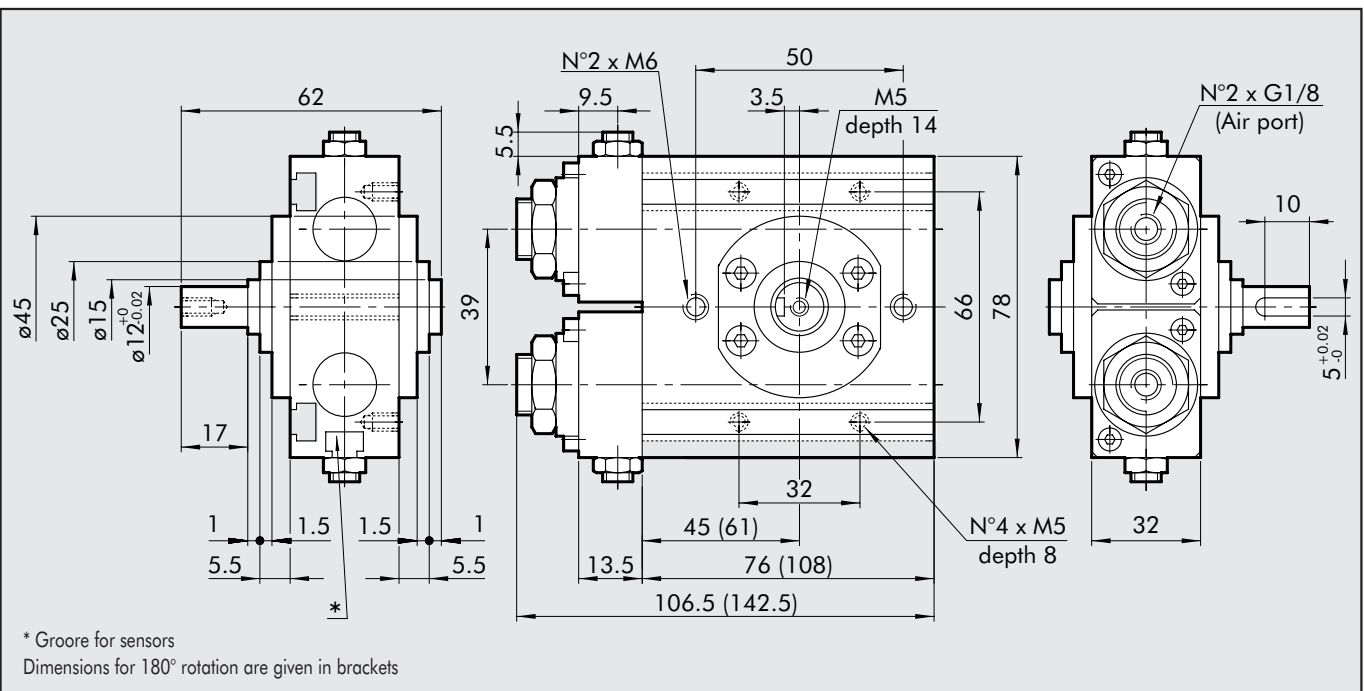
1



ORDERING CODES

Code	Description
W1620202090	ROTARY ACTUATOR R2-20-90°
W1620202180	ROTARY ACTUATOR R2-20-180°

ROTARY ACTUATOR R2 25 90°/180°



ORDERING CODES

Code	Description
W1620252090	ROTARY ACTUATOR R2-25-90°
W1620252180	ROTARY ACTUATOR R2-25-180°

