

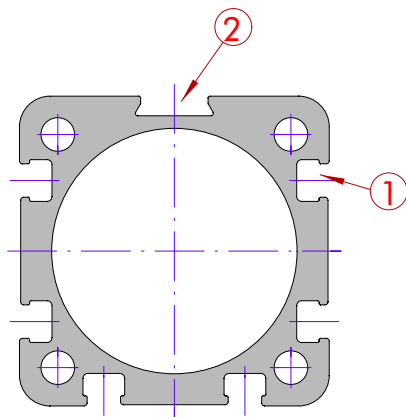
# CYLINDER Series "ISO 6431" ø32 ÷ 125 mm TYPE "A" retractable sensor



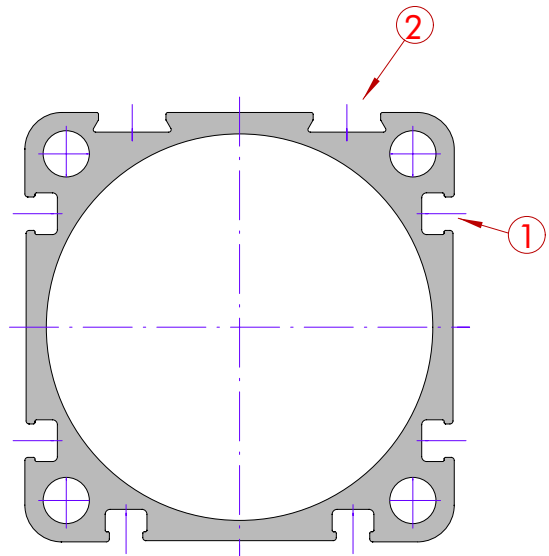
- Same version as standard ISO cylinders, i.e. double and single effect, through rod
- Same heads as standard ISO: easy interchangeable, also accessories and special versions.



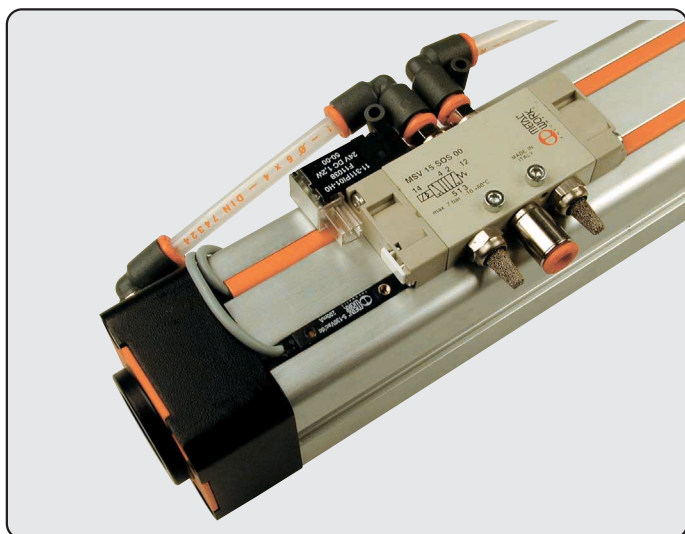
ø32 ÷ 50



ø63 ÷ 125



- ① grooves for hidden sensors
- ② grooves for CB sensors



Fixing control valve directly to the cylinder.



Sensor position memory, in case of replacement.



The Metal Work orange strips are attractive to look at, and close the sensor hollows containing the sensor cables. This makes external profile of the sleeve "clean" at the same time.