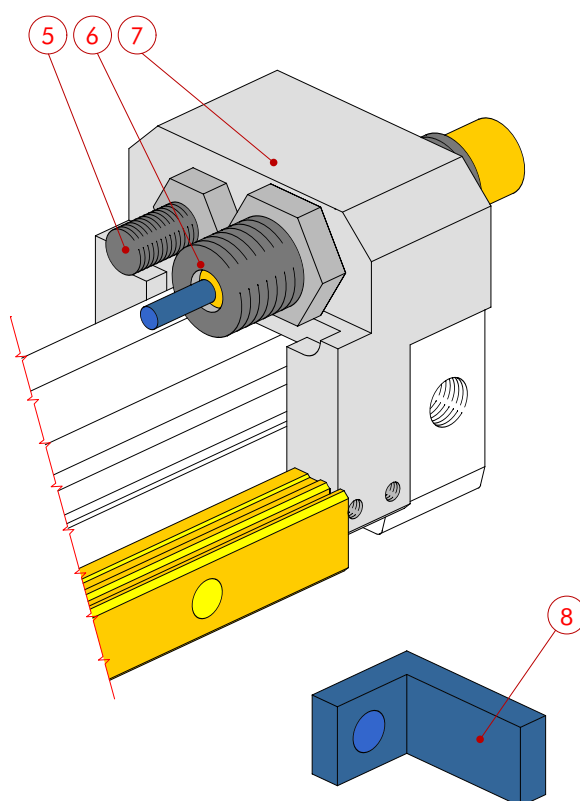




- For cylinders \varnothing 16 - 25 - 32 - 40
- With or without recirculating guide
- Long stroke regulation range
- Can be mounted at every time
- Crash against a steel plate, not directly on the carriage



- ⑤ Stroke-end screw, with 2 nuts
- ⑥ Hydraulic dampener, with 2 nuts
- ⑦ Support in anodized aluminium, fixed at barrel end
- ⑧ Angle in steel, fixed on carriage