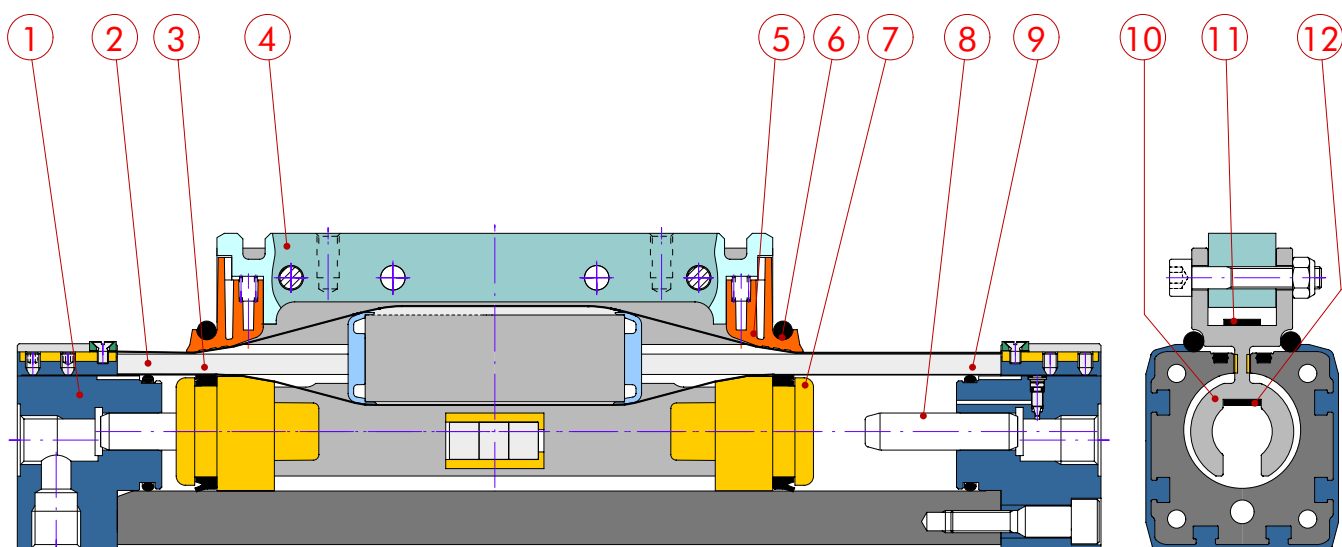




- 1) **CYLINDER HEAD:** aluminium alloy
- 2) **JACKET:** profiled anodized aluminium alloy
- 3) **PISTON GASCKET:** NBR or Viton®
- 4) **CENTRAL ELEMENT:** aluminium alloy
- 5) **SCRAPER:** Delrin® 500
- 6) **O-RING:** NBR
- 7) **BULL RING:** Hostaform®
- 8) **CUSHIONING CONE:** aluminium alloy
- 9) **STATIC O -RINGS:** NBR or Viton®
- 10) **PISTON:** aluminium alloy
- 11) **OUTER BELT:** stainless steel
- 12) **INNER BELT:** stainless steel





Sensor assembly

